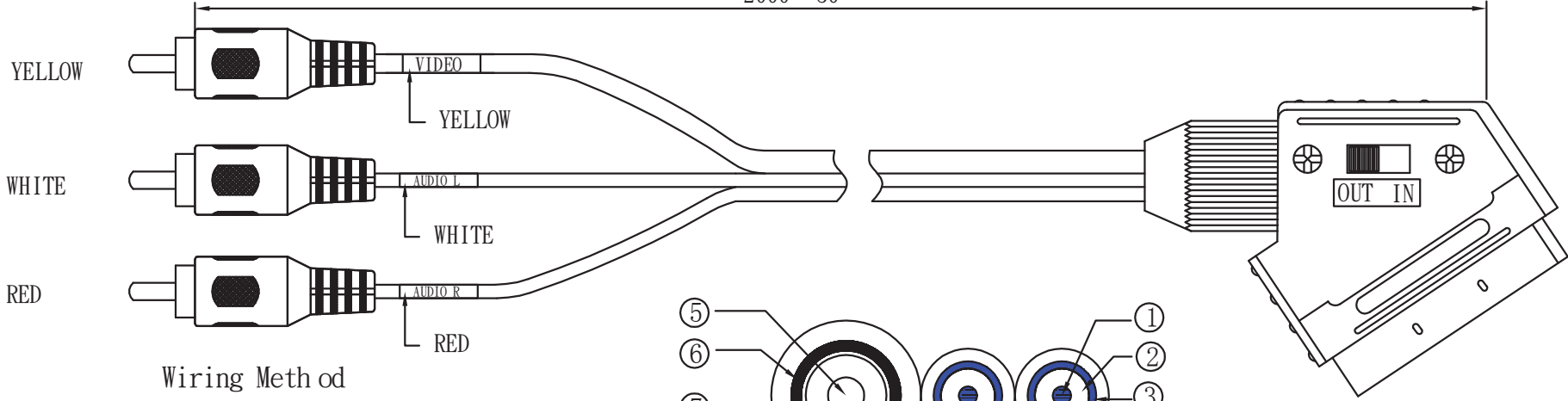
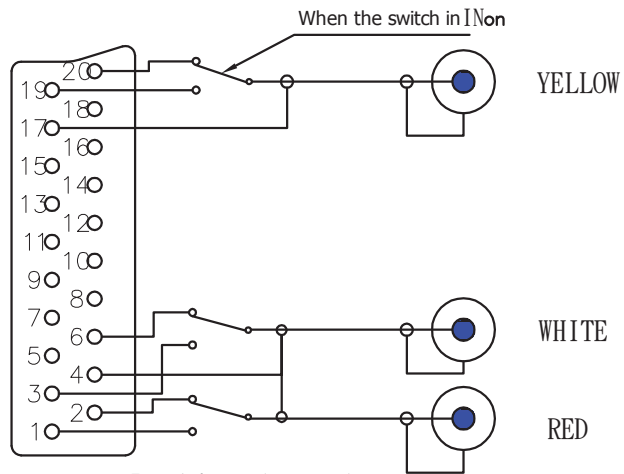


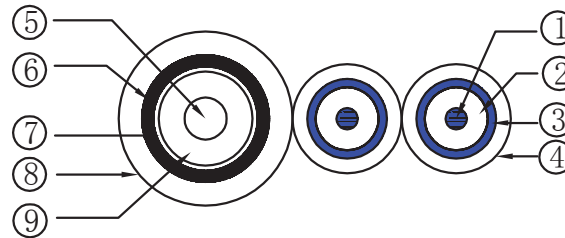
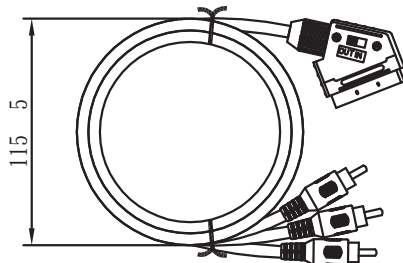
2000 30



Wiring Method



Packing length



①	10x0.1 CCS
②	<input checked="" type="checkbox"/> pvc
③	28x0.1 CCS
④	<input checked="" type="checkbox"/> .6 pvc
⑤	0.5MM CCS
⑥	32x0.1 CCS woven
⑦	AL 0.035
⑧	<input checked="" type="checkbox"/>
⑨	2.7 solid PE

NO.	ITEM NO.	EAN CODE:	L
1	CA1029	4052792008555	2,0m

DRAW No.	NAME	Scart - RCA cable, 1X Scart male - 3x RCA male		
CUSTOMER	2direct GmbH	MAPE	TOLERANCE	
CUSTOMER No.			X. 1.00	X.X 0.50
APPROVE BY	CHECK BY	DRAW BY	SCALE	MM
			PAGE	1/2

No.	PART NAME	DESCRIPTION	QTY	REMARK
-----	-----------	-------------	-----	--------

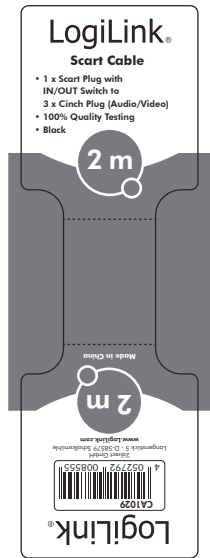
PACKING DRAW:

FILE AMEND NOTE	DATE	REV.
ORIGINAL EDITION	2012/11/08	A/0



1PCS/BAG

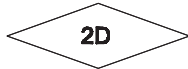
STICKER



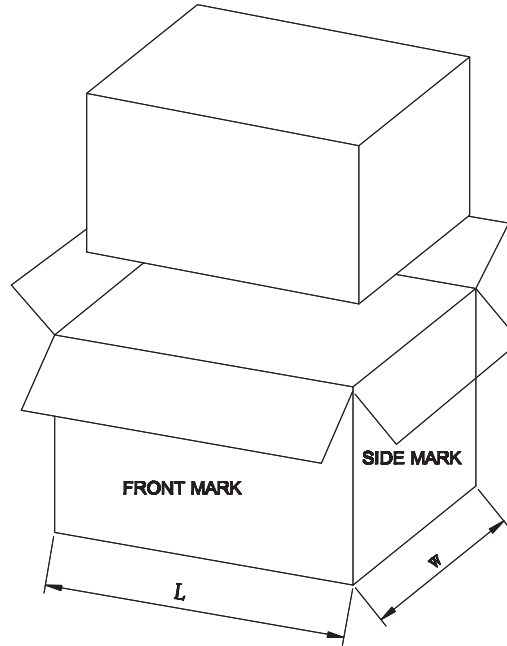
Pantone cool grey 9C, Black
 Size: 48x150 mm R= 2mm
 材質: 80P銅版紙, 上亮PP(光膠)



OUTER CARTON FRONT MARK:

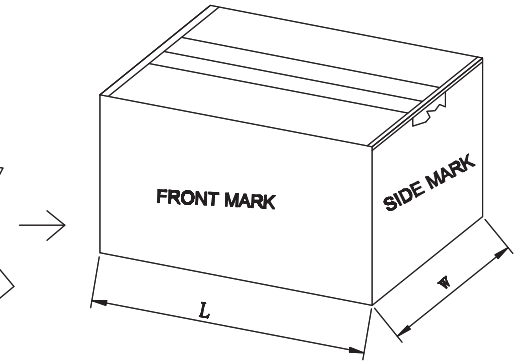


GERMANY
C/NO.:01,02...
MADE IN CHINA



OUTER CARTON SIDE MARK:

PO NO.:
 ITEM NO.:
 Q'TY: PCS
 N.W: KGS
 G.W: KGS
 Dimension:
 EAN CODE:



“I” shaped packaging
 three packaging tape

NOTE:
 Electrical test:
 100% open short & miss wire test;

DRAW No.	NAME	Scart - RCA cable, 1X Scart male - 3x RCA male		
CUSTOMER	2direct GmbH	MAPE	TOLERANCE	
CUSTOMER No.			X. ±1.00	X.X ±0.50
APPROVE BY	CHECK BY	DRAW BY	SCALE	MM
			PAGE	2/2

No.	PART NAME	DESCRIPTION	QTY	REMARK
-----	-----------	-------------	-----	--------