

# LogiLink®

## Monitor Desk Stand

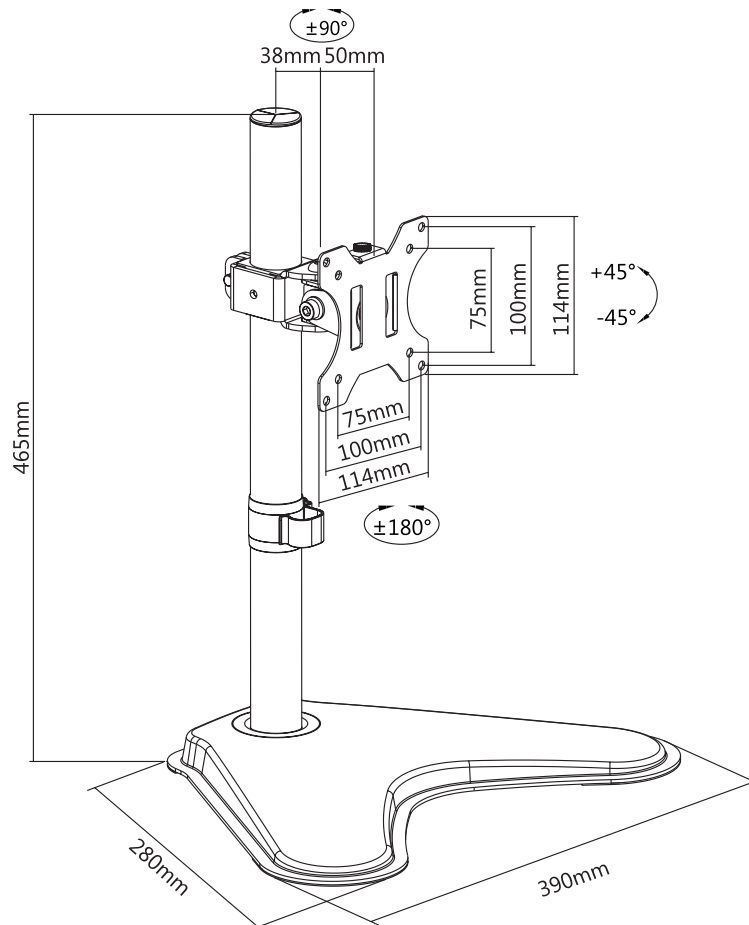
for 13"-32" Flat & Curved Monitor

Art. No.: BP0044



### Features:

- » Super strong mounting brackets: Solid-reinforced Cold Steel, durable product with maximum capacity of 8kg
- » Maximum arm extension length is 88mm, Tilt capacity: 45°~45°, Swivel capacity: 90°~90° and Rotation capacity: 180°~180°
- » Compatible with VESA 75x75mm, 100x100mm
- » Easy to install
- » Fit for 13-32 inch LCD Monitor



\* The specifications and pictures are subject to change without notice.  
\* All trade names referenced are the registered trademark of their respective owners.



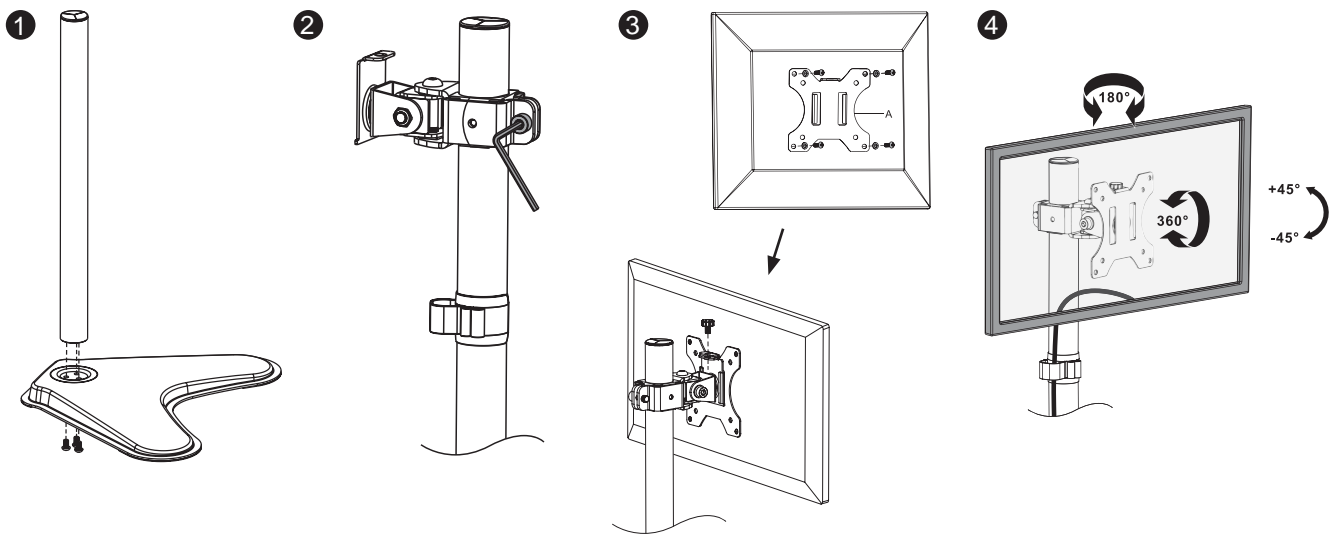
Made in China

Best Connectivity

# LogiLink®

## Monitor Desk Stand for 13"-32" Flat & Curved Monitor

Art. No.: BP0044



### Specification:

Screen Size	13"-32"
Rated Load	8kg/17.6lbs
VESA	75x75, 100x100
Arm Extend	88mm
Tilt	45° ~ -45°
Swivel	90° ~ -90°
Rotate	180° ~ -180°
Product Size	390 x 280 x 465mm

Fits  
13"-32"  
Monitor

VESA  
Max.  
100x100mm

Arm  
Extend  
88mm

rated  
8kg/  
17.6lbs

-180° ~ 180°  
ROTATION

45° ~ -45°  
TILT

90° ~ -90°  
SWIVEL

### Package Contents:

- » 1 x Monitor Desk Stand
- » 1 x Screw Package
- » 1 x User Manual

### Package Informations:

- » Packing Dimension: 448 x 300 x 90mm
- » Packing Weight: kg
- » Carton Dimension: mm
- » Carton Q'ty: 1pcs
- » Carton Weight: kg



\* The specifications and pictures are subject to change without notice.  
\* All trade names referenced are the registered trademark of their respective owners.



Made in China

Best Connectivity