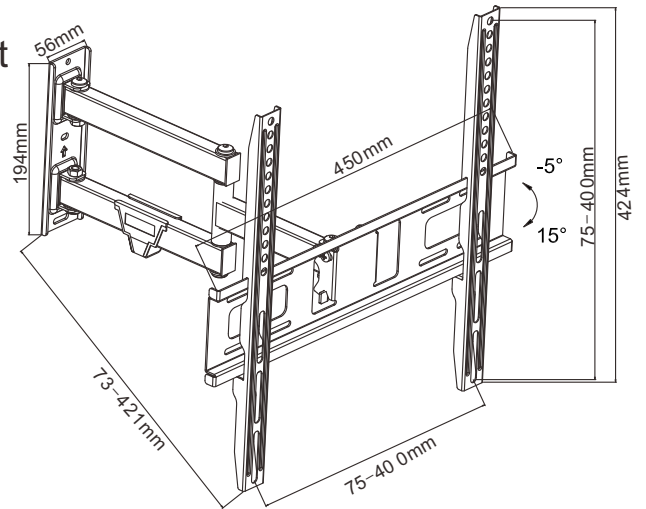


Universal Swivel & Tilt LCD/LED TV Bracket

WMS09-44AT 26"-55"

- Low-profile slim
- Solid design
- Screw Locking system for safety
- Bubble level includes



Family Line product

