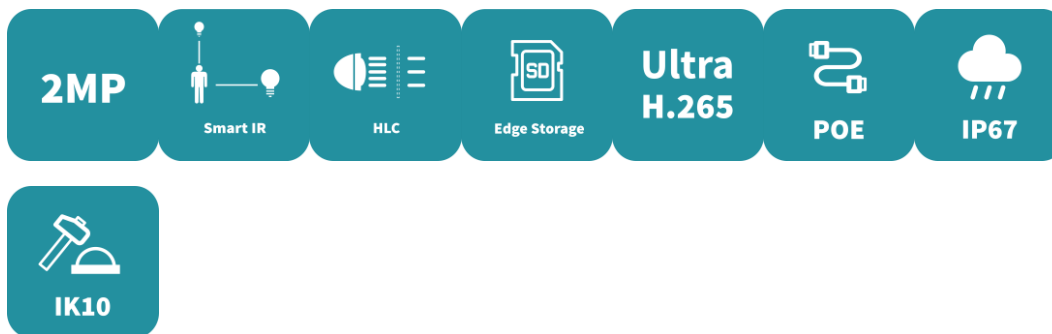


2MP HD IR Fixed Dome Network Camera

IPC-D122-PF28K



Features

- High quality image with 2MP, 1/2.9" CMOS sensor
- 2MP(1920*1080)@25/20fps; 720P (1280*720) @25/20fps
- Ultra 265, H.265, H.264
- 2D/3D DNR (Digital Noise Reduction)
- ROI (Region of Interest)
- ONVIF Conformance
- Smart IR, up to 30m (98ft) IR distance
- Support 128 GB Micro SD card
- 2-Axis
- Wide temperature range: -30° C ~ 60° C (-22° F ~ 140° F)
- DC12V or PoE(IEEE 802.3af) power supply
- IP67

● IK10

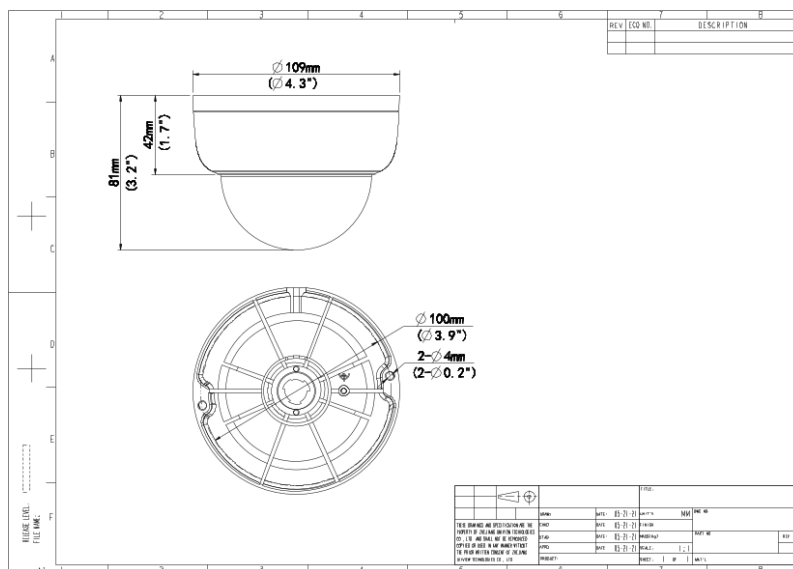
Specifications

| Camera | Description |
|---------------------------|---|
| Resolution | 2MP |
| Sensor | 1/2.9"CMOS |
| Min. Illumination | Colour: 0.02Lux (F2.1, AGC ON) 0 Lux with IR on |
| Day/Night | IR-cut filter with auto switch (ICR) |
| Shutter | Auto/Manual, 1 ~ 1/100000s |
| Adjustment angle | Pan: 3° ~ 360°, Tilt: 0° ~ 75° |
| S/N | >52dB |
| WDR | DWDR |
| Lens | Description |
| Lens type | 2.8mm |
| Iris Type | Fixed |
| Iris | F2.1 |
| Field of View (H) | 101.1° |
| Field of View (V) | 55.0° |
| Field of View (D) | 111.0° |
| DORI | Description |
| DORI Distance (Lens) | 2.8mm |
| DORI Distance (Detect) | 45.0(147.6ft) |
| DORI Distance (Observe) | 18.0(59.1ft) |
| DORI Distance (Recognize) | 9.0(29.5ft) |
| DORI Distance (Identify) | 4.5(14.8ft) |
| Illuminator | Description |
| Illumination Distance(IR) | Up to 30m (98ft) |
| Wavelength | 850nm |
| IR On/Off Control | Auto/Manual |
| Video | Description |
| Video Compression | Ultra 265; H.265; H.264 |
| H.264 code profile | Baseline profile, Main profile, High profile |
| Frame Rate | Main Stream: 1080P (1920*1080), Max 25fps; 720P (1280*720), Max 25fps; Sub Stream: D1 (720*576), Max 25fps; 640*360,Max 25fps; 2CIF(704*288), Max 25fps; CIF(352*288), Max 25fps; |
| Video Bit Rate | 128 Kbps~6144 Kbps |
| U-code | Support |
| OSD | Up to 4 OSDs |
| Privacy Mask | Up to 4 areas |

| | |
|-------------------------|---|
| ROI | Up to 8 areas |
| Video stream | Dual streams |
| Image | Description |
| White Balance | Auto; Outdoor; Fine Tune; Sodium Lamp; Locked; Auto2 |
| Digital noise reduction | 2D/3D DNR |
| Smart IR | Support |
| Flip | Normal; Flip Vertical; Flip Horizontal; 180° |
| Dewarping | N/A |
| HLC | Support |
| BLC | Support |
| Defog | Digital Defog |
| Events | Description |
| Basic Detection | Motion detection |
| General Function | Watermark; IP Address Filtering; Access Policy; ARP Protection; RTSP Authentication; User Authentication; HTTP Authentication |
| Storage | Description |
| Edge Storage | Micro SD, up to 128 GB |
| Network Storage | ANR |
| Network | Description |
| Protocols | IPv4; IGMP; ICMP; TCP; UDP; DHCP; RTP; RTSP; RTCP; RTMP; DNS; DDNS; NTP; UPnP; HTTP; HTTPS; QoS |
| Compatible Integration | ONVIF (Profile S, Profile G, Profile T); API |
| User/Host | Up to 32 users, 2 user levels: administrator and common user |
| Client | Uniarch Client; Uniarch app |
| Web Browser | Plug-in required live view: IE 10 and above, Chrome 45 and above, Firefox 52 and above, Edge 79 and above; Plug-in free live view: Chrome 57.0 and above, Firefox 58.0 and above, Edge 16 and above |
| Interface | Description |
| Audio I/O | N/A |
| Alarm I/O | N/A |
| Built-in Mic | N/A |
| Built-in Speaker | N/A |
| WIFI | N/A |
| Network | 1 * RJ45 10M/100M Base-TX Ethernet |
| Video Output | N/A |
| Certification | Description |
| EMC | CE-EMC (EN 55032, EN 61000-3-3, EN IEC 61000-3-2, EN 55035) FCC (FCC 47 CFR part15 B) |
| Safety | CE LVD (EN 62368-1) CB (IEC 62368-1) |
| Environment | CE-RoHS (2011/65/EU;(EU)2015/863); WEEE (2012/19/EU); |
| Protection | IP67 (IEC 60529) |

| | |
|---------------------|--|
| | IK10 (IEC 62262) |
| General | Description |
| Power | DC 12V ±25%, PoE (IEEE 802.3af) Power consumption: Max 3.3W |
| Power Interface | Ø 5.5mm coaxial power plug |
| Dimensions | Ø109x 81mm (Ø4.3" x 3.2") |
| Weight | 0.36kg (0.79lb) |
| Working Environment | -30 ° C ~ 60 ° C (-22 ° F ~ 140 ° F), Humidity: ≤95% RH (non-condensing) |
| Storage Environment | -30 ° C ~ 60 ° C (-22 ° F ~ 140 ° F), Humidity: ≤95% RH (non-condensing) |
| Surge protection | 4KV |
| Reset button | N/A |

Dimensions



Accessories

TR-JB03-G-IN

Junction Box for Mini Fix-dome
(Support wiring from behind)

TR-JB07/WM03-G-IN

Wall Mounting Assembling Bracket For 32 Fix-dome&Mini Fix-dome&Plastic Turret Camera

TR-WM03-D-IN

Wall Mounting Bracket for 32 Fix-dome&Mini Fix-dome&Plastic Turret Camera



TR-UM06-E-IN

Slant Mounting Bracket for Fixed Dome



TR-A01-IN

NPT 3/4" Waterproof Cable Gland

TR-UP06-IN

Universal Pole Mounting Bracket



TR-UC08-C

Bullet&Dome Corner Mounting Bracket



TR-SE24-IN

Dome Pendant Mounting Pole 200mm



TR-SE24-A-IN

Dome Pendant Mounting Pole 500mm



TR-CM24-IN

Dome Pendant Mounting Bracket(Indoor)

**Zhejiang Uniview Technologies Co., Ltd.**

No. 369, Xietong Road, Xixing Sub-district, Binjiang District, Hangzhou City, 310051, Zhejiang Province, China

Email: overseasbusiness@uniview.com; globalsupport@uniview.com<http://www.uniview.com>

©2024 Zhejiang Uniview Technologies Co., Ltd. All rights reserved.

*Product specifications and availability are subject to change without notice.

*Despite our best efforts, technical or typographical errors may exist in this document. Uniview cannot be held responsible for any such errors and reserves the right to change the contents of this document without prior notice.



Hangzhou TDT Technologies Co., Ltd.
Room 101, Building 3, No. 12, Binwen Road,
Xixing Street, Binjiang district, Hangzhou, Zhejiang, China
Telephone +86571-88317620
Telefax +86571-88316350

CE EMC Certification of Conformity

Certificate No.: JCZS(E)20230412022-C

The samples of the below product have been found to comply with the essential requirements of the relevant standards.

Product : IP Camera
Type Designation/Trademark : See Annex
Applicant : Zhejiang Uniview Technologies Co., Ltd.
Address : 1-3/F Area A and 2/F Area B, Building 2;1-11/F South Tower, Building 10, 88 Jiangling Road, Xixing Town, Binjiang District, Hangzhou City, P.R.China
Manufacturer's Name : Zhejiang Uniview Technologies Co., Ltd.
Manufacturer's Address : 1-3/F Area A and 2/F Area B, Building 2;1-11/F South Tower, Building 10, 88 Jiangling Road, Xixing Town, Binjiang District, Hangzhou City, P.R.China

Measurement Facilities : Hangzhou TDT Technologies Co., Ltd.

Relevant Standard(s) / Specification(S) / Directive(S) : EMC Directive 2014/30/EU
EN 55032:2015+A11:2020+A1:2020
EN 55035:2017+A11:2020
EN IEC 61000-3-2:2019+A1:2021
EN 61000-3-3:2013+A1:2019+A2:2021



Accreditations : A2LA Certification number: 4037.01

CNAS Certification number: CNAS L7728

Report Number : JCBG(E)20230412022-C

Issued Date : May 16, 2023

Issued by : Ning Zhang

Position/Title : General Manager

Signature : Ning Zhang





Hangzhou TDT Technologies Co., Ltd.
 Room 101, Building 3, No. 12, Binwen Road,
 Xixing Street, Binjiang district, Hangzhou, Zhejiang, China
 Telephone +86571-88317620
 Telefax +86571-88316350

**This is an Annex to Test Verification of Conformity with Verification/Report Number(S):
 JCBG(E)20220804023-C. The issuing office is Hangzhou TDT Technologies Co., Ltd. (Address:
 Room 101, Building 3, No. 12, Binwen Road, Xixing Street, Binjiang
 district, Hangzhou, Zhejiang, China)**

**Model(s) : IPC-D112-xxxxPxxxx-yyyyyyyyy-zzz, IPC-D113-xxxxPxxxx-yyyyyyyyy-zzz, IPC-D114-
 xxxxPxxxx-yyyyyyyyy-zzz, IPC-D122-xxxxPxxxx-yyyyyyyyy-zzz, IPC-D124-xxxxPxxxx-
 yyyyyyy-zzz, IPC-D125-xxxxPxxxx-yyyyyyyyy-zzz, IPC-D123-xxxxPxxxx-yyyyyyyyy-zzz
 (where x,y,z may be blank, one letter or more combination letters from '0-9, A-Z and
 a-z'; '-' is optional)**

**NOTE: This Annex is part of the Test Verification of Conformity and should be read in conjunction with
 it.**

This Verification is for the exclusive use of TDT's Client and is provided pursuant to the agreement between
 TDT and its Client. TDT's responsibility and liability are limited to the terms and conditions of the agreement.
 TDT assumes no liability to any party, other than to the Client in accordance with the agreement, for any loss,
 expense or damage occasioned by the use of this Verification. Only the Client is authorized to copy or
 distribute this Verification. Any use of the TDT name or one of its marks for the sale or advertisement of the
 tested material, product or service must first be approved in writing by TDT. The observations and test results
 referenced from this Verification are relevant only to the sample tested. This Verification by itself does not imply
 that the material, product, or service is or has ever been under an TDT certification program.

Issued Date : May 16, 2023


Issued by : Ning Zhang

Position/Title : General Manager

Signature : Ning Zhang



VERIFICATION OF COMPLIANCE

| | |
|---|---|
| No.: | GPSD SUES2405000770AT |
| Applicant: | Zhejiang Uniview Technologies Co., Ltd. No. 369, Xietong Road, Xixing Sub-district, Binjiang District, Hangzhou City, 310051, Zhejiang Province, China |
| Manufacturer: | Zhejiang Uniview Technologies Co., Ltd. No. 369, Xietong Road, Xixing Sub-district, Binjiang District, Hangzhou City, 310051, Zhejiang Province, China |
| Product Name: | IP Camera |
| Model No.: | 1) IPC-D112-PF28, IPC-D113-PF28, IPC-D122-PF28, IPC-D124-PF28, IPC-D125-PF28, IPC-D124-PF28K, IPC-D112-xxxxPxxxx-yyyyyyyy-zzz, IPC-D113-xxxxPxxxx-yyyyyyyy-zzz, IPC-D114-xxxxPxxxx-yyyyyyyy-zzz, IPC-D122-xxxxPxxxx-yyyyyyyy-zzz, IPC-D124-xxxxPxxxx-yyyyyyyy-zzz, IPC-D125-xxxxPxxxx-yyyyyyyy-zzz 2) IPC-D123-F28-A, IPC-D123-xxxxPxxxx-yyyyyyyyzzz (‘x’ can be 0-9, A-Z, a-z or blank, denoting difference in interface; ‘y’ can be 0-9, A-Z, a-z or blank, denoting performance difference; ‘z’ can be 0-9, A-Z, a-z or blank, denoting target regional; ‘-’ may be blank) |
| Trade Mark: |  |
| Rating: | 1) 12 V d.c., 1 A; POE 48 V d.c., 0,25 A; 2) 12 V d.c., 1 A |
| Protection against Electric Shock: | Class III |
| Additional Information (if any): | None |
| Sufficient samples of the product have been tested and found to be in conformity with | |
| Test Standard: | EN IEC 62368-1:2020+A11:2020 |
| as shown in the | |
| Test Report Number(s): | SUES240500077001 |

This Verification of Compliance has been granted to the applicant based on the results of tests performed by Laboratory of SGS-CSTC Standards Technical Services Co., Ltd. on sample of the above-mentioned product in accordance with the provisions of the relevant specific standards and the General Product Safety Directive 2001/95/EC

Dan Xie

Technical Manager

SGS-CSTC Standards Technical Services Co., Ltd.

2024-07-02

This document is issued by the Company under its General Conditions of Service accessible at http://www.sgs.com/terms_and_conditions.htm. Attention is drawn to the limitation of liability, indemnification and jurisdiction issues defined therein.

Any holder of this document is advised that information contained hereon reflects the Company's findings at the time of its intervention only and within the limits of Client's instructions, if any. The Company's sole responsibility is to its client and this document does not exonerate parties to a transaction from exercising all their rights and obligations under the transaction documents. Any unauthorized alteration, forgery or falsification of the content or appearance of this document is unlawful and offenders may be prosecuted to the fullest extent of the law.

SGS-CSTC Standards Technical Services Co., Ltd.
16F, Century Yu Hui Mansion, No.73, Fucheng Road, Haidian
District, Beijing, 100142, CHINA
www.sgs.com
Member of the SGS Group (SGS SA)



ΔΗΛΩΣΗ ΣΥΜΜΟΡΦΩΣΗΣ ΕΕ

Nr 2023/01041

Για τα ακόλουθα προϊόντα

εξοπλισμού

: IP Κάμερα

Τύπος Προϊόντος/Εμπορικό

IPC-B122-APF28K

Σήμα:

IPC-T122-APF28K

IPC-D122-PF28K

IPC-P213-AF40KC

IPC-B124-APF28K

IPC-T124-APF28K

IPC-D124-PF28K

IPC-B314-APKZ

IPC-T314-APKZ

IPC-D314-APKZ

IPC-B125-APF28

IPC-T125-APF28

IPC-D125-PF28

IPC-B315-APKZ

IPC-T315-APKZ

IPC-D315-APKZ

Όνομα Κατασκευαστή

: ZHEJIANG UNIVIEW TECHNOLOGIES CO., LTD

Διεύθυνση Κατασκευαστή

: No. 369, Xietong Road, Xixing Sub-district,
Binjiang District, Hangzhou City, China (zhejiang)
Pilot Free Trade Zone

στο οποίο αναφέρεται η παρούσα δήλωση, και είναι σύμφωνο με τα ακόλουθα πρότυπα ή άλλα έγγραφα κανονισμού:"

"Οδηγία του Συμβουλίου 2014/30/ΕΕ - Οδηγία EMC"

EN 55032:2015+A11:2020+A1:2020

EN 50130-4:2011+A1:2014

EN IEC 61000-3-2:2019+A1:2021

EN 61000-3-3:2013+A1:2019+A2:2021

"Οδηγία του Συμβουλίου 2014/35/ΕΕ - Οδηγία Χαμηλής Τάσης"



EN IEC 62368-1:2020+A11:2020

"Οδηγία του Συμβουλίου (ΕΕ) 2015/863 τροποποιώντας το Παράρτημα II της Οδηγίας 2011/65/ΕΕ"

"Υπεύθυνος για την κατάθεση αυτής της δήλωσης είναι ο:

Κατασκευαστής Εξουσιοδοτημένος εκπρόσωπος που έχει εγκατασταθεί στην ΕΕ

Υπεύθυνος για την κατάθεση αυτής της δήλωσης

Όνομα, Επίθετο : 白宗杭

Θέση/Τίτλος : Sales Engineer

Hangzhou

2024.07.24

(Μέρος)

(Ημερομηνία)

(Σφραγίδα της εταιρείας και νόμιμη υπογραφή)

