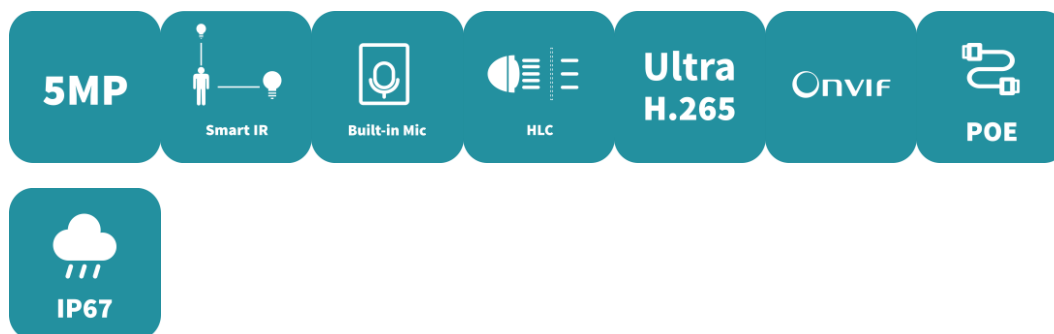


# 5MP Fixed Eyeball Network Camera

IPC-T125-APF28(40)



## Features

- High quality image with 5MP, 1/3" CMOS sensor
- 5MP (2592\*1944)@20fps; 4MP (2560\*1440)@20fps; 3MP (2304\*1296) @20fps; 1080P (1920\*1080)@30fps; 720P (1280\*720)@ 30fps; D1 (720\*576)@30fps;
- Ultra 265, H.265, H.264
- 2D/3D DNR (Digital Noise Reduction)
- ROI (Region of Interest)
- ONVIF Conformance
- Smart IR, up to 30m (98ft) IR distance
- 3-Axis
- Built-in Mic
- Wide temperature range: -30° C ~ 60° C (-22° F ~ 140° F)
- DC12V or PoE(IEEE 802.3af) power supply

- IP67

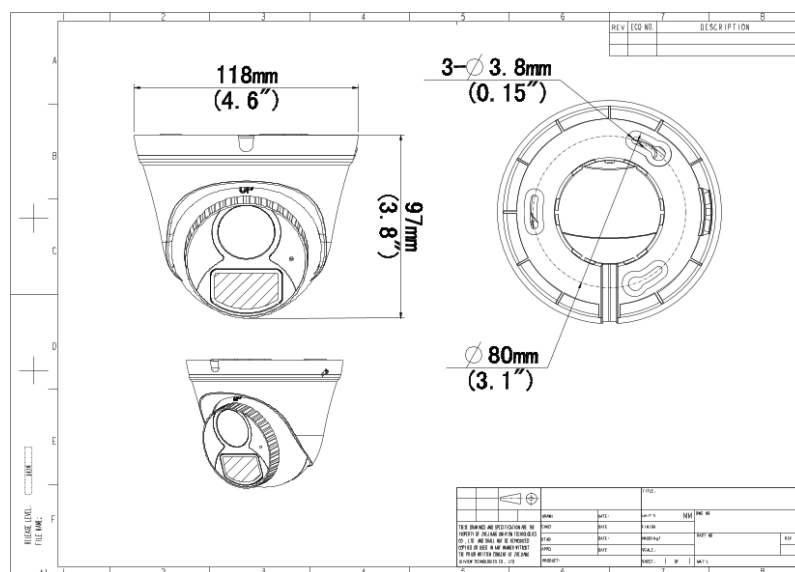
## Specifications

Camera	Description
Resolution	5MP
Sensor	1/3.0"CMOS
Min. Illumination	Colour: 0.02Lux (F2.1, AGC ON) 0 Lux with IR on
Day/Night	IR-cut filter with auto switch (ICR)
Shutter	Auto/Manual, 1 ~ 1/100000s
Adjustment angle	Pan: 0° ~ 360° , Tilt: 0° ~ 80° , Rotate: 0° ~ 360°
S/N	>52dB
WDR	DWDR
Lens	Description
Lens type	IPC-T125-APF28:2.8mm IPC-T125-APF40:4.0mm
Iris	F2.1
Field of View (H)	IPC-T125-APF28:89.1° IPC-T125-APF40:75.0°
Field of View (V)	IPC-T125-APF28:47.3° IPC-T125-APF40:41.6°
Field of View (D)	IPC-T125-APF28:94.3° IPC-T125-APF40:81.1°
DORI	Description
DORI Distance (Lens)	IPC-T125-APF28:2.8mm IPC-T125-APF40:4.0mm
DORI Distance (Detect)	IPC-T125-APF28:63.0m(206.7ft) IPC-T125-APF40:90.0m(295.3ft)
DORI Distance (Observe)	IPC-T125-APF28:25.2m(82.7ft) IPC-T125-APF40:36.0m(118.1ft)
DORI Distance (Recognize)	IPC-T125-APF28:12.6m(41.3ft) IPC-T125-APF40:18.0m(59.1ft)
DORI Distance (Identify)	IPC-T125-APF28:6.3m(20.7ft) IPC-T125-APF40:9.0m(29.5ft)
Illuminator	Description
Illumination Distance(IR)	Up to 30m (98ft)
Wavelength	850nm
IR On/Off Control	Auto/Manual
Video	Description
Video Compression	Ultra 265; H.265; H.264; MJPEG

H.264 code profile	Baseline profile, Main profile, High profile
Frame Rate	Main Stream: 5MP (2592*1944), Max 20fps; 4MP (2560*1440), Max 20fps; 3MP (2304*1296), Max 20fps; 1080P (1920*1080), Max 30fps; 720P (1280*720), Max 30fps; D1 (720*576), Max 30fps; Sub Stream: D1 (720*576), Max 30fps; 640*360, Max 30fps; 2CIF(704*288), Max 30fps; CIF(352*288), Max 30fps;
Video Bit Rate	128 Kbps~6144 Kbps
U-code	Support
OSD	Up to 4 OSDs
Privacy Mask	Up to 4 areas
ROI	Up to 8 areas
Video stream	Dual streams
<b>Image</b>	<b>Description</b>
White Balance	Auto; Outdoor; Fine Tune; Sodium Lamp; Locked; Auto2
Digital noise reduction	2D/3D DNR
Smart IR	Support
Flip	Normal; Flip Vertical; Flip Horizontal; 180°
Dewarping	N/A
HLC	Support
BLC	Support
Defog	Digital Defog
<b>Events</b>	<b>Description</b>
Basic Detection	Motion detection; Audio detection
General Function	Watermark; IP Address Filtering; Access Policy; ARP Protection; RTSP Authentication; User Authentication; HTTP Authentication
<b>Audio</b>	<b>Description</b>
Audio Compression	G.711U; G.711A
Audio Bitrate	64 Kbps
Two-way Audio	N/A
Suppression	Support
Sampling Rate	8KHZ
<b>Network</b>	<b>Description</b>
Protocols	IPv4; IGMP; ICMP; TCP; UDP; DHCP; RTP; RTSP; RTCP; RTMP; DNS; DDNS; NTP; UPnP; HTTP; QoS
Compatible Integration	ONVIF (Profile S, Profile T); API
User/Host	Up to 32 users, 2 user levels: administrator and common user
Client	Uniarch Client; Uniarch app
Web Browser	Plug-in required live view: IE 10 and above, Chrome 45 and above, Firefox 52 and above, Edge 79 and above; Plug-in free live view: Chrome 57.0 and above, Firefox 58.0 and above, Edge 16 and above
<b>Interface</b>	<b>Description</b>
Audio I/O	N/A
Alarm I/O	N/A

Built-in Mic	Support
Built-in Speaker	N/A
WIFI	N/A
Network	1 * RJ45 10M/100M Base-TX Ethernet
Video Output	N/A
Certification	Description
EMC	CE-EMC (EN 55032, EN 61000-3-3, EN IEC 61000-3-2, EN 55035) FCC (FCC 47 CFR part15 B)
Safety	CE LVD (EN 62368-1) CB (IEC 62368-1)
Environment	CE-RoHS (2011/65/EU;(EU)2015/863); WEEE (2012/19/EU);
Protection	IP67 (IEC 60529)
General	Description
Power	DC 12V ±25%, PoE (IEEE 802.3af) Power consumption: Max 4.5W
Power Interface	Ø 5.5mm coaxial power plug
Dimensions	Ø118 x 97mm (Ø4.6" x 3.8" )
Weight	0.27kg (0.60lb)
Working Environment	-30 ° C ~ 60 ° C (-22 ° F ~ 140 ° F), Humidity: ≤95% RH (non-condensing)
Storage Environment	-30 ° C ~ 60 ° C (-22 ° F ~ 140 ° F), Humidity: ≤95% RH (non-condensing)
Surge protection	4KV
Reset button	N/A

## Dimensions



## Accessories

TR-JB03-I-IN

Junction Box for Plastic Turret Camera(Support wiring from behind )

TR-JB07/WM03-G-IN

Wall Mounting Assembling Bracket For 32 Fix-dome&Mini Fix-dome&Plastic Turret Camera



TR-WM03-D-IN

Wall Mounting Bracket for 32 Fix-dome &Mini Fix-dome&Plastic Turret Camera

TR-A01-IN

NPT 3/4" Waterproof Cable Gland

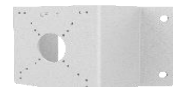
TR-UP06-IN

Universal Pole Mounting Bracket



TR-UC08-C

Bullet&Dome Corner Mounting Bracket



TR-SE24-IN

Dome Pendant Mounting Pole 200mm



TR-SE24-A-IN

Dome Pendant Mounting Pole 500mm



TR-CM24-IN

Dome Pendant Mounting Bracket(Indoor)



### Zhejiang Uniview Technologies Co., Ltd.

No. 369, Xietong Road, Xixing Sub-district, Binjiang District, Hangzhou City, 310051, Zhejiang Province, China

Email: [overseasbusiness@uniview.com](mailto:overseasbusiness@uniview.com); [globalsupport@uniview.com](mailto:globalsupport@uniview.com)

<http://www.uniview.com>

©2023-2024 Zhejiang Uniview Technologies Co., Ltd. All rights reserved.

\*Product specifications and availability are subject to change without notice.

\*Despite our best efforts, technical or typographical errors may exist in this document. Uniview cannot be held responsible for any such errors and reserves the right to change the contents of this document without prior notice.

## VERIFICATION OF COMPLIANCE

Verification No.: SHEM240500306601ATC  
 Applicant: ZHEJIANG UNIVIEW TECHNOLOGIES CO., LTD  
 Address of Applicant: No. 369, Xietong Road, Xixing Sub-district, Binjiang District, Hangzhou City, 310051, Zhejiang Province, China  
 Manufacturer: ZHEJIANG UNIVIEW TECHNOLOGIES CO., LTD  
 Address of Manufacturer: No. 369, Xietong Road, Xixing Sub-district, Binjiang District, Hangzhou City, 310051, Zhejiang Province, China  
 Product Description: IP Camera  
 Model No.: IPC-T125-APF28, IPC-T124-APF28K, IPC-T124-xxxxPxxxx-yyyzyyy-zzz, IPC-T125-xxxxPxxxx-yyyzyyy-zzz ("x","y","z"can be 0-9,A-Z,a-z or blank,denoting target regional;"-"may be blank)  
 Test Standards: EN 55032: 2015+A11:2020+A1:2020  
 EN 61000-3-3: 2013+ A1:2019+A2:2021  
 EN IEC 61000-3-2: 2019+A1:2021  
 EN 50130-4: 2011+A1:2014  
 Test Report Number(s): SHEM240500306601

This Verification of EMC Compliance has been granted to the applicant based on the results of the tests, performed by laboratory of SGS-CSTC Standards Technical Services Co., Ltd. on the sample of the above-mentioned product in accordance with the provisions of the relevant specific standards under Directive 2014/30/EU. The CE mark can be used, under the responsibility of the manufacturer, after completion of an EU Declaration of Conformity and compliance with all relevant EU Directives.

*Parlam Zhan*

Parlam Zhan  
Laboratory Manager

SGS-CSTC Standards Technical Services Co., Ltd.

Date: 2024-06-06



This document is issued by the Company under its General Conditions of Service accessible at [http://www.sgs.com/terms\\_and\\_conditions.htm](http://www.sgs.com/terms_and_conditions.htm). Attention is drawn to the limitation of liability, indemnification and jurisdiction issues defined therein.

Any holder of this document is advised that information contained hereon reflects the Company's findings at the time of its intervention only and within the limits of Client's instructions, if any. The Company's sole responsibility is to its client and this document does not exonerate parties to a transaction from exercising all their rights and obligations under the transaction documents. Any unauthorized alteration, forgery or falsification of the content or appearance of this document is unlawful and offenders may be prosecuted to the fullest extent of the law.

SGS-CSTC Standards Technical Services Co., Ltd.  
 16F, Century Yu Hui Mansion, No.73, Fucheng Road, Haidian District, Beijing, 100142, CHINA  
[www.sgsgroup.com.cn](http://www.sgsgroup.com.cn)  
 Member of the SGS Group (SGS SA)

## VERIFICATION OF COMPLIANCE



No.: GPSD SUES2405000769AT

Applicant: Zhejiang Uniview Technologies Co., Ltd.  
No. 369, Xietong Road, Xixing Sub-district, Binjiang District, Hangzhou, 310051, Zhejiang, China

Manufacturer: Zhejiang Uniview Technologies Co., Ltd.  
No. 369, Xietong Road, Xixing Sub-district, Binjiang District, Hangzhou, 310051, Zhejiang, China

Product Name: IP Camera

Model No.: (1) IPC-T122-PF40, IPC-T124-PF40, IPC-T122-APF40, IPC-T122-APF28, IPC-T124-APF28, IPC-T125-APF28, IPC-T213-APF28W, IPC-T124-APF28K, IPC-T122-xxxxPxxxx-yyyzyzzz, IPC-T124-xxxxPxxxx-yyyzyzzz, IPC-T125-xxxxPxxxx-yyyzyzzz, IPC-T112-xxxxPxxxx-yyyzyzzz, IPC-T113-xxxxPxxxx-yyyzyzzz, IPCT114-xxxxPxxxx-yyyzyzzz, IPC-T213-xxxxPxxxx-yyyzyzzz  
(2) IPC-T123-AF28-A, IPC-T123-xxxxPxxxx-yyyzyzzz ('x' can be 0-9, A-Z, a-z or blank, denoting difference in interface; 'y' can be 0-9, A-Z, a-z or blank, denoting performance difference; 'z' can be 0-9, A-Z, a-z or blank, denoting target regional; '-' may be blank)

Trade Mark:  or 

Rating: (1) 12 V d.c., 1,0 A; PoE 48 V d.c., 0,25 A;  
(2) 12 V d.c., 1,0 A

Protection against Electric Shock: Class III

Additional Information (if any): None

Sufficient samples of the product have been tested and found to be in conformity with

Test Standard: EN IEC 62368-1: 2020 + A11: 2020  
as shown in the

Test Report Number(s): SUES240500076901

This Verification of Compliance has been granted to the applicant based on the results of tests performed by Laboratory of SGS-CSTC Standards Technical Services Co., Ltd. on sample of the above-mentioned product in accordance with the provisions of the relevant specific standards and the General Product Safety Directive 2001/95/EC.

  
Dan Xie  
Technical Manager



SGS-CSTC Standards Technical Services Co., Ltd.

2024-07-02

This document is issued by the Company under its General Conditions of Service accessible at [http://www.sgs.com/terms\\_and\\_conditions.htm](http://www.sgs.com/terms_and_conditions.htm). Attention is drawn to the limitation of liability, indemnification and jurisdiction issues defined therein.

Any holder of this document is advised that information contained hereon reflects the Company's findings at the time of its intervention only and within the limits of Client's instructions, if any. The Company's sole responsibility is to its client and this document does not exonerate parties to a transaction from exercising all their rights and obligations under the transaction documents. Any unauthorized alteration, forgery or falsification of the content or appearance of this document is unlawful and offenders may be prosecuted to the fullest extent of the law.

SGS-CSTC Standards Technical Services Co., Ltd.  
16F, Century Yu Hui Mansion, No.73, Fucheng Road, Haidian District, Beijing, 100142, CHINA  
[www.sgs.com](http://www.sgs.com)  
Member of the SGS Group (SGS SA)



# ΔΗΛΩΣΗ ΣΥΜΜΟΡΦΩΣΗΣ ΕΕ

Nr 2023/01041

Για τα ακόλουθα προϊόντα

εξοπλισμού

: IP Κάμερα

Τύπος Προϊόντος/Εμπορικό

IPC-B122-APF28K

Σήμα:

IPC-T122-APF28K

IPC-D122-PF28K

IPC-P213-AF40KC

IPC-B124-APF28K

IPC-T124-APF28K

IPC-D124-PF28K

IPC-B314-APKZ

IPC-T314-APKZ

IPC-D314-APKZ

IPC-B125-APF28

IPC-T125-APF28

IPC-D125-PF28

IPC-B315-APKZ

IPC-T315-APKZ

IPC-D315-APKZ

Όνομα Κατασκευαστή

: ZHEJIANG UNIVIEW TECHNOLOGIES CO., LTD

Διεύθυνση Κατασκευαστή

No. 369, Xietong Road, Xixing Sub-district,  
Binjiang District, Hangzhou City, China (zhejiang)  
Pilot Free Trade Zone

στο οποίο αναφέρεται η παρούσα δήλωση, και είναι σύμφωνο με τα ακόλουθα πρότυπα ή άλλα έγγραφα κανονισμού:"

"Οδηγία του Συμβουλίου 2014/30/ΕΕ - Οδηγία EMC"

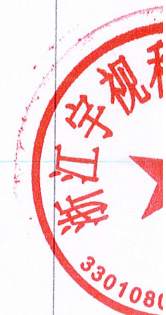
EN 55032:2015+A11:2020+A1:2020

EN 50130-4:2011+A1:2014

EN IEC 61000-3-2:2019+A1:2021

EN 61000-3-3:2013+A1:2019+A2:2021

"Οδηγία του Συμβουλίου 2014/35/ΕΕ - Οδηγία Χαμηλής Τάσης"





EN IEC 62368-1:2020+A11:2020

"Οδηγία του Συμβουλίου (ΕΕ) 2015/863 τροποποιώντας το Παράρτημα II της Οδηγίας 2011/65/ΕΕ"

"Υπεύθυνος για την κατάθεση αυτής της δήλωσης είναι ο:

Κατασκευαστής  Εξουσιοδοτημένος εκπρόσωπος που έχει εγκατασταθεί στην ΕΕ

Υπεύθυνος για την κατάθεση αυτής της δήλωσης

Όνομα, Επίθετο : 白宗杭

Θέση/Τίτλος : Sales Engineer

Hangzhou

2024.07.24

(Μέρος)

(Ημερομηνία)

(Σφραγίδα της εταιρείας και νόμιμη υπογραφή)

