

5MP HD VF Eyeball Network Camera

IPC-T315-APKZ



5MP	intrusion detection	120dB WDR	Built-in Mic	Edge Storage	Ultra H.265	POE
IP67						

Features

- High quality image with 5MP, 1/2.7" CMOS sensor
- 5MP (2880*1620)@25fps; 4MP (2560*1440)@25fps; 3MP (2304*1296)@30fps; 1080P (1920*1080)@30fps
- Ultra 265, H.265, H.264
- 2D/3D DNR (Digital Noise Reduction)
- ROI (Region of Interest)
- ONVIF Conformance
- Smart IR, up to 30m (98ft) IR distance
- IR anti-reflection window to increase the infrared transmittance
- 120dB true WDR technology enables clear image in strong light scene

- Built-in Mic
- Wide temperature range: -30° C ~ 60° C (-22° F ~ 140° F)
- DC12V or PoE(IEEE 802.3af) power supply
- IP67

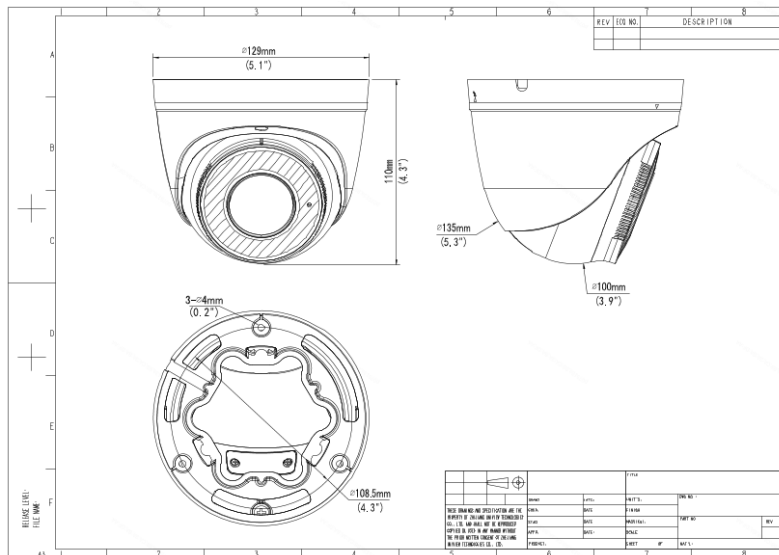
Specifications

Camera	Description
Sensor	1/2.7"CMOS
Min. Illumination	Colour: 0.005Lux (F1.8, AGC ON) 0 Lux with IR on
Day/Night	IR-cut filter with auto switch (ICR)
Shutter	Auto/Manual, 1 ~ 1/100000s
Adjustment angle	Pan: 0° ~ 360° , Tilt: 0° ~ 75° , Rotate: 0° ~ 360°
S/N	>52dB
WDR	120dB
Lens	Description
Lens type	2.8~12mm
Iris	F1.8
Field of View (H)	102.79° ~ 30.86°
Field of View (V)	54.50° ~ 17.49°
Field of View (D)	106.94° ~35.49°
DORI	Description
DORI Distance (Lens)	2.8mm, 12mm
DORI Distance (Detect)	63.0m(206.7ft), 270.0m(885.8ft)
DORI Distance (Observe)	25.2m(82.7ft), 108.0m(354.3ft)
DORI Distance (Recognize)	12.6m(41.3ft), 54.0m(177.2ft)
DORI Distance (Identify)	6.3m(20.7ft), 27.0m(88.6ft)
Illuminator	Description
Illumination Distance(IR)	Up to 50m (164ft)
Wavelength	850nm
IR On/Off Control	Auto/Manual
Video	Description
Video Compression	Ultra 265; H.265; H.264
H.264 code profile	Baseline profile, Main profile, High profile
Frame Rate	Main Stream: 5MP (2880*1620), Max 25fps; 4MP (2560*1440), Max 25fps; 3MP (2304*1296), Max 30fps;1080P (1920*1080), Max 30fps; Sub Stream: 720P (1280*720), Max 30fps; D1 (720*576), Max 30fps; 640*360,Max 30fps;
Video Bit Rate	128 Kbps~6144 Kbps
U-code	Support

OSD	Up to 4 OSDs
Privacy Mask	Up to 4 areas
ROI	Up to 8 areas
Video stream	Dual streams
Image	Description
White Balance	Auto; Outdoor; Fine Tune; Sodium Lamp; Locked; Auto2
Digital noise reduction	2D/3D DNR
Smart IR	Support
Flip	Normal; Flip Vertical; Flip Horizontal; 180° ; 90° Clockwise; 90° Anti-clockwise
Dewarping	N/A
HLC	Support
BLC	Support
Defog	Digital Defog
Events	Description
Basic Detection	intrusion(based on human body detection); Motion detection; Tampering alarm; Audio detection
General Function	Watermark; IP Address Filtering; Access Policy; ARP Protection; RTSP Authentication; User Authentication; HTTP Authentication
Audio	Description
Audio Compression	G.711U; G.711A
Audio Bitrate	64 Kbps
Two-way Audio	N/A
Suppression	Support
Sampling Rate	8KHZ
Storage	Description
Edge Storage	Micro SD, up to 256 GB
Network Storage	ANR; NAS(NFS)
Network	Description
Protocols	IPv4; IPv6; IGMP; ICMP; ARP; TCP; UDP; DHCP; RTP; RTSP; RTCP; RTMP; DNS; DDNS; NTP; FTP; UPnP; HTTP; HTTPS; SMTP; SSL/TLS; QoS; SNMP
Compatible Integration	ONVIF (Profile S, Profile G, Profile T); API
User/Host	Up to 32 users. 3 user levels: administrator, common user and operator
Client	Uniarch Client; Uniarch app
Web Browser	Plug-in required live view: IE 10 and above, Chrome 45 and above, Firefox 52 and above, Edge 79 and above; Plug-in free live view: Chrome 57.0 and above,Firefox 58.0 and above,Edge 16 and above
Interface	Description
Audio I/O	N/A
Alarm I/O	N/A
Built-in Mic	Support
Built-in Speaker	N/A

WIFI	N/A
Network	1 * RJ45 10M/100M Base-TX Ethernet
Video Output	N/A
Certification	Description
EMC	CE-EMC (EN 55032, EN 61000-3-3, EN IEC 61000-3-2, EN 55035) FCC (FCC 47 CFR part15 B)
Safety	CE LVD (EN 62368-1) CB (IEC 62368-1)
Environment	CE-RoHS (2011/65/EU;(EU)2015/863); WEEE (2012/19/EU);
Protection	IP67 (IEC 60529)
General	Description
Power	DC 12V ±25%, PoE (IEEE 802.3af) Power consumption: Max 6.0W
Power Interface	Ø 5.5mm coaxial power plug
Dimensions	Ø129 x 110mm (Ø5.1" x 4.3")
Weight	0.67kg (1.48lb)
Working Environment	-30 ° C ~ 60 ° C (-22 ° F ~ 140 ° F), Humidity: ≤95% RH (non-condensing)
Storage Environment	-30 ° C ~ 60 ° C (-22 ° F ~ 140 ° F), Humidity: ≤95% RH (non-condensing)
Surge protection	6KV
Reset button	Support

Dimensions



Accessories

TR-JB03-H-IN

Junction Box for Metal Turret Camera(Support wiring from behind)



TR-JB07/WM03-F-IN

Wall Mounting Assembling Bracket with Back Hole for 3 Inch Hemisphere

TR-WM03-B-IN

Wall Mounting Assembling Bracket for 3 Inch Hemisphere



TR-A01-IN

NPT 3/4" Waterproof Cable Gland

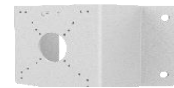
TR-UP06-IN

Universal Pole Mounting Bracket



TR-UC08-C

Bullet&Dome Corner Mounting Bracket



TR-SE24-IN

Dome Pendant Mounting Pole 200mm



TR-SE24-A-IN

Dome Pendant Mounting Pole 500mm



TR-CM24-IN

Dome Pendant Mounting Bracket(Indoor)



Zhejiang Uniview Technologies Co., Ltd.

No. 369, Xietong Road, Xixing Sub-district, Binjiang District, Hangzhou City, 310051, Zhejiang Province, China

Email: overseasbusiness@uniview.com; globalsupport@uniview.com

<http://www.uniview.com>

©2023-2024 Zhejiang Uniview Technologies Co., Ltd. All rights reserved.

*Product specifications and availability are subject to change without notice.

*Despite our best efforts, technical or typographical errors may exist in this document. Uniview cannot be held responsible for any such errors and reserves the right to change the contents of this document without prior notice.



Product Service

Attestation of Compliance

No. N5A 083707 0337 Rev. 03

Holder of Certificate: **ZHEJIANG UNIVIEW TECHNOLOGIES CO., LTD.**

88 Jiangling Road, Xixing Town
Binjiang
310051 Hangzhou
PEOPLE'S REPUBLIC OF CHINA

Product: **Camera
IP Camera**

Model(s): IPC-T312-APKZ, IPC-T315-APKZ,
IPC-T312-xxxxxxxx-yyyyyyyy-zzz,
IPC-T314-xxxxxxxx-yyyyyyyy-zzz,
IPC-T315-xxxxxxxx-yyyyyyyy-zzz
(‘x’ can be 0-9, A-Z, a-z or blank,
denoting difference in interface;
‘y’ can be 0-9, A-Z, a-z or blank,
denoting performance difference;
‘z’ can be 0-9, A-Z, a-z or blank,
denoting target regional; ‘-’ may be blank)


Parameters: Rated input: 12V $\overline{=}$, 1.0A;
POE 48V $\overline{=}$, 0.25A
Protection class: III

Tested according to: EN 62368-1:2014/A11:2017

This Attestation of Compliance is issued on a voluntary basis and confirms the compliance with the listed electrical safety standards for electrical equipment below 50V AC or 75 V DC, which is below the voltage limits of the Low Voltage Directive 2014/35/EU. It refers only to the particular sample submitted for testing and certification. For details see: www.tuvsud.com/ps-cert

Test report no.: 4842021083203

Date, 2022-06-02


(Bin Li)



Hangzhou TDT Technologies Co., Ltd.
 Room 101, Building 3, No. 12, Binwen Road,
 Xixing Street, Binjiang district, Hangzhou, Zhejiang, China
 Telephone +86571-88317620
 Telefax +86571-88316350

CE EMC Certification of Conformity

Certificate No.: JCZS(E)20220629011-C

The samples of the below product have been found to comply with the essential requirements of the relevant standards.

Product : IP Camera
Type Designation/Trademark : See Annex
Applicant : Zhejiang Uniview Technologies Co., Ltd.
Address : 1-3/F Area A and 2/F Area B, Building 2; 1-11/F South Tower, Building 10, 88 Jiangling Road, Xixing Town, Binjiang District, Hangzhou City, P.R.China
Manufacturer's Name : Zhejiang Uniview Technologies Co., Ltd.
Manufacturer's Address : 1-3/F Area A and 2/F Area B, Building 2; 1-11/F South Tower, Building 10, 88 Jiangling Road, Xixing Town, Binjiang District, Hangzhou City, P.R.China
Measurement Facilities : Hangzhou TDT Technologies Co., Ltd.
Relevant Standard(s) / Specification(S) / Directive(S) :
 EMC Directive 2014/30/EU
 EN 55032:2015+A11:2020
 EN 55035:2017+A11:2020
 EN IEC 61000-3-2:2019+A1:2021
 EN 61000-3-3:2013+A1:2019



Accreditations :  Recognition Number: 645845



Accreditation Number: C-14683, G-10832, R-14200, T-20082

Report Number : JCBG(E)20220629011-C

Issued Date : July 21, 2022

Issued by : Bing Cai

Position/Title : General Manager

Signature : Bing Cai





Hangzhou TDT Technologies Co., Ltd.
 Room 101, Building 3, No. 12, Binwen Road,
 XixingStreet,Binjiang district, Hangzhou, Zhejiang, China
 Telephone +86571-88317620
 Telefax +86571-88316350

**This is an Annex to Test Verification of Conformity with Verification/Report Number(S):
 JCBG(E)20220629011-C. The issuing office is Hangzhou TDT Technologies Co., Ltd. (Address:
 Room 101, Building 3, No. 12, Binwen Road, Xixing Street, Binjiang
 district, Hangzhou, Zhejiang, China)**

**Model(s) : IPC-T312-xxxxxxx-yyy-yyyy-zzz, IPC-T314-xxxxxxx-yyy-yyyy-zzz, IPC-T315-
 xxxxxxx-yyy-yyyy-zzz
 (where x,y,z may be blank, one letter or more combination letters from '0-9, A-Z and
 a-z'; '-' is optional)**

**NOTE: This Annex is part of the Test Verification of Conformity and should be read in conjunction with
 it.**

This Verification is for the exclusive use of TDT's Client and is provided pursuant to the agreement between
 TDT and its Client. TDT's responsibility and liability are limited to the terms and conditions of the agreement.
 TDT assumes no liability to any party, other than to the Client in accordance with the agreement, for any loss,
 expense or damage occasioned by the use of this Verification. Only the Client is authorized to copy or
 distribute this Verification. Any use of the TDT name or one of its marks for the sale or advertisement of the
 tested material, product or service must first be approved in writing by TDT. The observations and test results
 referenced from this Verification are relevant only to the sample tested. This Verification by itself does not imply
 that the material, product, or service is or has ever been under an TDT certification program.

Issued Date : July 21, 2022

Issued by : Bing Cai

Position/Title : General Manager

Signature : Bing Cai





ΔΗΛΩΣΗ ΣΥΜΜΟΡΦΩΣΗΣ ΕΕ

Nr 2023/01041

Για τα ακόλουθα προϊόντα

εξοπλισμού

: IP Κάμερα

Τύπος Προϊόντος/Εμπορικό

IPC-B122-APF28K

Σήμα:

IPC-T122-APF28K

IPC-D122-PF28K

IPC-P213-AF40KC

IPC-B124-APF28K

IPC-T124-APF28K

IPC-D124-PF28K

IPC-B314-APKZ

IPC-T314-APKZ

IPC-D314-APKZ

IPC-B125-APF28

IPC-T125-APF28

IPC-D125-PF28

IPC-B315-APKZ

IPC-T315-APKZ

IPC-D315-APKZ

Όνομα Κατασκευαστή

: ZHEJIANG UNIVIEW TECHNOLOGIES CO., LTD

Διεύθυνση Κατασκευαστή

No. 369, Xietong Road, Xixing Sub-district,
Binjiang District, Hangzhou City, China (zhejiang)
Pilot Free Trade Zone

στο οποίο αναφέρεται η παρούσα δήλωση, και είναι σύμφωνο με τα ακόλουθα πρότυπα ή άλλα έγγραφα κανονισμού:"

"Οδηγία του Συμβουλίου 2014/30/ΕΕ - Οδηγία EMC"

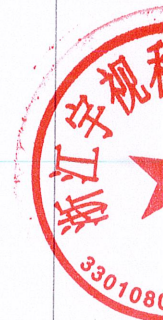
EN 55032:2015+A11:2020+A1:2020

EN 50130-4:2011+A1:2014

EN IEC 61000-3-2:2019+A1:2021

EN 61000-3-3:2013+A1:2019+A2:2021

"Οδηγία του Συμβουλίου 2014/35/ΕΕ - Οδηγία Χαμηλής Τάσης"



EN IEC 62368-1:2020+A11:2020

"Οδηγία του Συμβουλίου (ΕΕ) 2015/863 τροποποιώντας το Παράρτημα II της Οδηγίας 2011/65/ΕΕ"

"Υπεύθυνος για την κατάθεση αυτής της δήλωσης είναι ο:

Κατασκευαστής Εξουσιοδοτημένος εκπρόσωπος που έχει εγκατασταθεί στην ΕΕ

Υπεύθυνος για την κατάθεση αυτής της δήλωσης

Όνομα, Επίθετο : 白宗杭

Θέση/Τίτλος : Sales Engineer

Hangzhou

2024.07.24

(Μέρος)

(Ημερομηνία)

(Σφραγίδα της εταιρείας και νόμιμη υπογραφή)

