

1 SATA HDD Network Video Recorder

NVR-S3-P Series



Features

- Support Ultra 265/H.265/H.264 video formats
- 4/8-channel input
- Plug & Play with 4/8 independent PoE network interfaces
- Third-party IP cameras supported with ONVIF conformance: Profile S, Profile G, Profile T
- Support 1-ch HDMI, 1-ch VGA
- HDMI and VGA simultaneous output
- Up to 6MP resolution recording
- 1 SATA HDD up to 6TB
- Support cloud upgrade

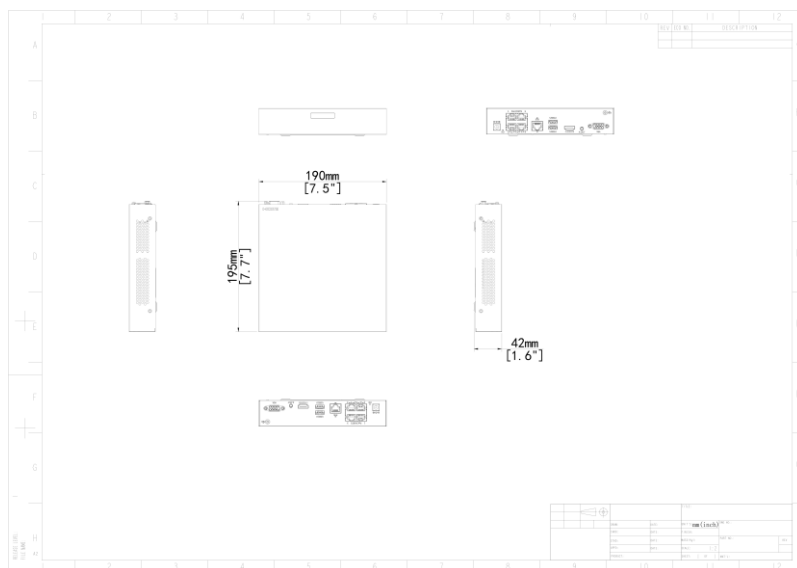
Specifications

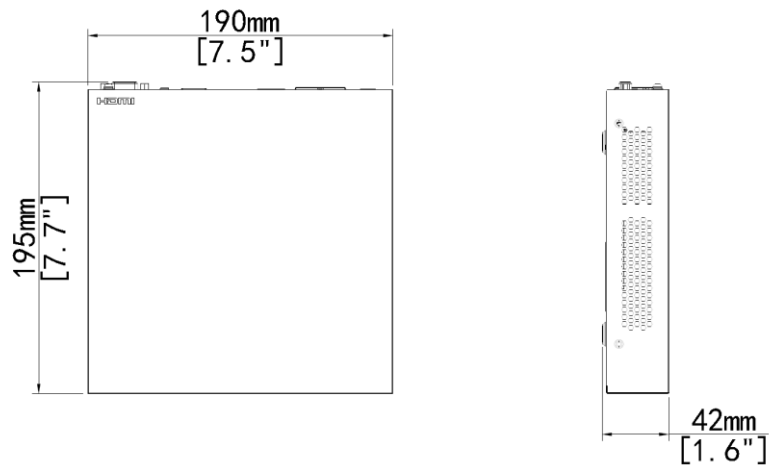
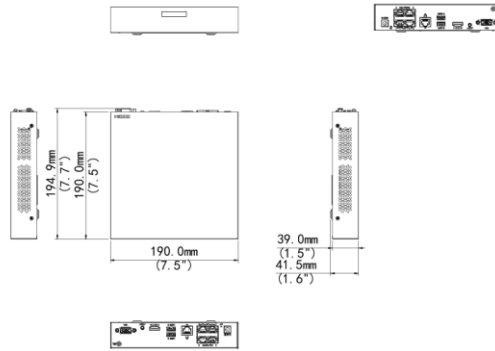
Decoding	Description
Decoding Format	Ultra 265, H.265, H.264
Decoding Capability	NVR-104S3-P4: 1 x 6MP@30, 1 x 5MP@30, 2 x 4MP@30, 2 x 3MP@30, 4 x 1080P@30 NVR-108S3-P8: 1 x 6MP@30, 1 x 5MP@30, 2 x 4MP@30, 2 x 3MP@30, 6 x 1080P@30, 8 x 720P@30
Audio Compression	G.711A, G.711U
Network	Description
Incoming Bandwidth	64Mbps

Outgoing Bandwidth	48Mbps
Remote Users	128
Protocols	TCP/IP; P2P; UPnP; DHCP; HTTP; HTTPS; DNS; DDNS; SMTP; RTSP
Browser(Plugin)	Windows: IE (IE10/ 11), Firefox (version 52.0 and above), Chrome (version 45 and above), Edge (version 79 and above)
Video/Audio Input	Description
IP Video Input	NVR-104S3-P4:4-ch NVR-108S3-P8:8-ch
Video/Audio Output	Description
HDMI Output	1920x1080/60Hz, 1920x1080/50Hz, 1600x1200/60Hz, 1280x1024/60Hz, 1280x720/60Hz, 1024x768/60Hz
VGA Output	1920x1080/60Hz, 1920x1080/50Hz, 1600x1200/60Hz, 1280x1024/60Hz, 1280x720/60Hz, 1024x768/60Hz
3.5mm Audio Output	1-ch
Liveview Display	NVR-104S3-P4:1/4 NVR-108S3-P8:1/4/6/8/9
Corridor Mode Screen	NVR-104S3-P4:3/4 NVR-108S3-P8:3/4/5/7/9
Recording	Description
Recording Resolution	6MP/5MP/4MP/3MP/1080P/960P/720P/D1/2CIF/CIF
Synchronous Playback in Local	NVR-104S3-P4:4-ch NVR-108S3-P8:8-ch
Smart	Description
VCA Detection by IPC	SIP (Intrusion Detection, Cross Line Detection, Enter Area, Leave Area)
VCA Search	Behavior Search
Smart by IPC	Total 4-ch(SIP supports channel 1-4, Alarm only, no image)
GUI Language	Description
GUI Language	21 languages: Chinese, English, Vietnamese, Thai, Turkish, Spanish (Latin America), Portuguese (Brazil), Spanish, Portuguese, French, German, Italian, Dutch, Polish, Czech, Hungarian, Slovak, Russian, Hebrew, Arabic, Ukrainian
Hard Disk	Description
SATA	1 SATA Interface
Capacity	Up to 6TB for each HDD
External Interface	Description
Network Interface	1 RJ45 10M/100M self-adaptive Ethernet Interface
USB	Rear panel: 2 x USB2.0
Power Supply	NVR-104S3-P4:DC 48V/1.35A NVR-108S3-P8:DC 52V/1.8A
PoE	Description
PoE Interface	NVR-104S3-P4:4 RJ45 10M/100M self-adaptive Ethernet Interface NVR-108S3-P8:8 RJ45 10M/100M self-adaptive Ethernet Interface
Max Power	NVR-104S3-P4:Max 30W for single port, Max 50W in total NVR-108S3-P8:Max 30W for single port, Max 75W in total

Supported Standard	IEEE 802.3at, IEEE 802.3af
Working Environment	Description
Working Temperature	-10 °C ~ 55 °C (14 °F ~ 131 °F)
Working Humidity	≤ 90% RH (non-condensing)
Power Consumption (without HD D)	≤ 9W
Dimensions	Description
Weight (without HDD)	≤ 1.0Kg (2.20lb)
Dimensions	190mm × 195mm × 42mm (7.5"×7.7"×1.6")
Certification	Description
Certification	CE, FCC, RoHS, WEEE
CE	EN 55032, EN 61000-3-3, EN IEC 61000-3-2, EN 55035
FCC	Part15 Subpart B

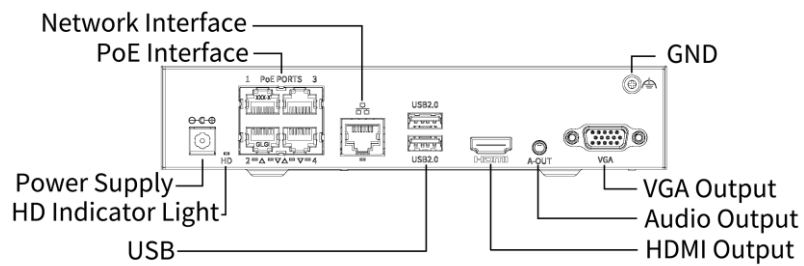
Dimensions



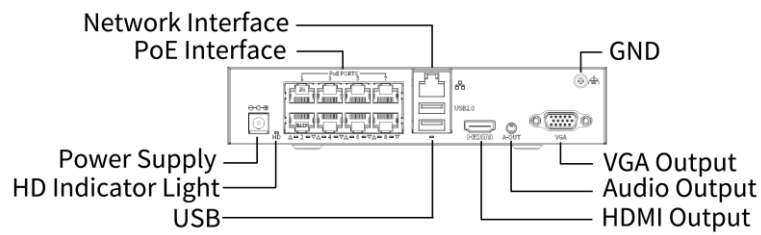


Rear Panel

[NVR-104S3-P4]



[NVR-108S3-P8]



Zhejiang Uniview Technologies Co., Ltd.

No. 369, Xietong Road, Xixing Sub-district, Binjiang District, Hangzhou City, 310051, Zhejiang Province, China

Email: overseasbusiness@uniview.com; globalsupport@uniview.com

<http://www.uniview.com>

©2023-2024 Zhejiang Uniview Technologies Co., Ltd. All rights reserved.

*Product specifications and availability are subject to change without notice.

*Despite our best efforts, technical or typographical errors may exist in this document. Uniview cannot be held responsible for any such errors and reserves the right to change the contents of this document without prior notice.

UL TYPE EXAMINATION CERTIFICATE

Low Voltage Directive 2014/35/EU

Certificate No. E359706-A6307-4791255636-1-04

Page 1

Date of Issue 2024-04-01

Issued to ZHEJIANG UNIVIEW TECHNOLOGIES CO LTD
No.369, Xietong Road, Xixing Sub-district, Binjiang District
Hangzhou
Zhejiang Sheng 310051 CHINA

Manufacturer ZHEJIANG UNIVIEW TECHNOLOGIES CO LTD
No.369, Xietong Road, Xixing Sub-district, Binjiang District
Hangzhou
Zhejiang Sheng 310051 CHINA

Manufacturing site/location ZHEJIANG UNIVIEW SYSTEMS TECHNOLOGY CO LTD
NO.1277 SOUTH QINGFENG SOUTH ROAD, TONGXIANG
JIAXING
ZHEJIANG 310000 CHINA

TDG TECHNOLOGY CO LTD
NO 1 YATAI RD
NANHU DISTRICT
JIAXING
Zhejiang Sheng 314050 CHINA

Jie Qian

Operation Leader

Jie Qian

This is to certify that the sample(s) of the Product described herein has/have been investigated and found to have been in compliance with the above mentioned Standard(s) issued by the European Committee for Electrotechnical Standardization (CENELEC) in accordance with the UL Type Examination Certificate Program Requirements.

As stated in Article 6 of Directive 2014/35/EU, "When placing their electrical equipment on the market, manufacturers shall ensure that it has been designed and manufactured in accordance with the safety objectives referred to in Article 3 and set out in Annex I" and "Manufacturers shall draw up the technical documentation referred to in Annex III and carry out the conformity assessment procedure referred to in Annex III or have it carried out". This remains the responsibility of the manufacturer and is not covered as part of this certificate.

This certificate and test results obtained apply only to the product sample(s) submitted by the Applicant. UL did not select the sample(s) or determine whether the sample(s) provided were representative of other manufactured products. UL has not established Follow-Up Service or other surveillance of the product. The Applicant/ Manufacturer are solely and fully responsible for any declaration of ongoing conformity of all products to all applicable Standard(s), specifications or requirements. The test results may not be used, in whole or in part, in any other document without UL's prior written approval.

UL-CCIC Company Ltd. Suzhou Branch

No. 2, Chengwan Road, Suzhou Industrial Park, Suzhou 215122, China



UL TYPE EXAMINATION CERTIFICATE

Low Voltage Directive 2014/35/EU

Certificate No. E359706-A6307-4791255636-1-04
Page 2
Date of Issue 2024-04-01

TOP-TEK TECHNOLOGY(VIETNAM)CO., LTD.
No.5, Street 7, Vsp II, Hoa Phu Ward, Tdm Town, Binh
Duong Province, Vietnam- 820000

Product Sample Description

Network Video Recorder or Digital Video Recorder

Designation

(1) NVR301-04S2, NVR301-08S2, NVR301-04S2-NB, NVR301-08S2-NB, NVR301-04X, NVR301-04X-NB, NVR301-08X, NVR301-08X-NB, NVR301-16X, NVR301-16X-NB, NVR301-04Q, NVR301-04Q-NB, NVR301-08Q, NVR301-08Q-NB, NVR301-04S3, NVR301-04S3-NB, NVR301-08S3, NVR301-08S3-NB, NVR301-16S3, NVR301-16S3 -NB
("x" can be 0-9,A-Z,a-z or blank,denoting difference in interface;"y" can be 0-9,A-Z,a-z or blank, denoting performance difference; "z"can be 0-9,A-Z,a-z or blank,denoting target regional, "-" may be blank)

Jie Qian

Operation Leader

Jie Qian

This is to certify that the sample(s) of the Product described herein has/have been investigated and found to have been in compliance with the above mentioned Standard(s) issued by the European Committee for Electrotechnical Standardization (CENELEC) in accordance with the UL Type Examination Certificate Program Requirements.

As stated in Article 6 of Directive 2014/35/EU, "When placing their electrical equipment on the market, manufacturers shall ensure that it has been designed and manufactured in accordance with the safety objectives referred to in Article 3 and set out in Annex I" and "Manufacturers shall draw up the technical documentation referred to in Annex III and carry out the conformity assessment procedure referred to in Annex III or have it carried out". This remains the responsibility of the manufacturer and is not covered as part of this certificate.

This certificate and test results obtained apply only to the product sample(s) submitted by the Applicant. UL did not select the sample(s) or determine whether the sample(s) provided were representative of other manufactured products. UL has not established Follow-Up Service or other surveillance of the product. The Applicant/ Manufacturer are solely and fully responsible for any declaration of ongoing conformity of all products to all applicable Standard(s), specifications or requirements. The test results may not be used, in whole or in part, in any other document without UL's prior written approval.

UL-CCIC Company Ltd. Suzhou Branch

No. 2, Chengwan Road, Suzhou Industrial Park, Suzhou 215122, China



UL TYPE EXAMINATION CERTIFICATE

Low Voltage Directive 2014/35/EU

Certificate No. E359706-A6307-4791255636-1-04
Page 3
Date of Issue 2024-04-01

(2) NVR301-08X-P8, NVR301-08X-P8-NB, NVR301-08S2-P8, NVR301-08S2-P8-NB, NVR301-08S3-P8, NVR301-08S3-P8-NB, NVR301-16S3-P8, NVR301-16S3-P8-NB, NVR301-04X-P4-DT, NVR301-08X-P8-DT, NVR301-xxxxxxx-yyyyyPyyy-zzz:
("x" can be 0-9,A-Z,a-z or blank,denoting difference in interface;"y" can be 0-9,A-Z,a-z or blank, denoting performance difference; "z"can be 0-9,A-Z,a-z or blank,denoting target regional, "-" may be blank)

(3) NVR301-04S2-P4, NVR301-04S2-P4-NB, NVR301-04X-P4, NVR301-04X-P4-NB, NVR301-04S3-P4-NB, NVR301-04S3-P4, NVR301-xxxxxxx-yyyyyPyyy-zzz
("x" can be 0-9,A-Z,a-z or blank,denoting difference in interface;"y" can be 0-9,A-Z,a-z or blank, denoting performance difference; "z"can be 0-9,A-Z,a-z or blank,denoting target regional, "-" may be blank)

Jie Qian

Operation Leader

Jie Qian

This is to certify that the sample(s) of the Product described herein has/have been investigated and found to have been in compliance with the above mentioned Standard(s) issued by the European Committee for Electrotechnical Standardization (CENELEC) in accordance with the UL Type Examination Certificate Program Requirements.

As stated in Article 6 of Directive 2014/35/EU, "When placing their electrical equipment on the market, manufacturers shall ensure that it has been designed and manufactured in accordance with the safety objectives referred to in Article 3 and set out in Annex I" and "Manufacturers shall draw up the technical documentation referred to in Annex III and carry out the conformity assessment procedure referred to in Annex III or have it carried out". This remains the responsibility of the manufacturer and is not covered as part of this certificate.

This certificate and test results obtained apply only to the product sample(s) submitted by the Applicant. UL did not select the sample(s) or determine whether the sample(s) provided were representative of other manufactured products. UL has not established Follow-Up Service or other surveillance of the product. The Applicant/ Manufacturer are solely and fully responsible for any declaration of ongoing conformity of all applicable Standard(s), specifications or requirements. The test results may not be used, in whole or in part, in any other document without UL's prior written approval.

UL-CCIC Company Ltd. Suzhou Branch

No. 2, Chengwan Road, Suzhou Industrial Park, Suzhou 215122, China



UL TYPE EXAMINATION CERTIFICATE

Low Voltage Directive 2014/35/EU

Certificate No. E359706-A6307-4791255636-1-04
Page 4
Date of Issue 2024-04-01

(4) XVR301-04Q, XVR301-04Q-NB, XVR301-08Q, XVR301-08Q-NB, XVR301-04G, XVR301-08G, XVR301-16G, XVR301-16G-NB, XVR301-xxxxxxx-yyyyyyy-zzz

("x" can be 0-9,A-Z,a-z or blank,denoting difference in interface;"y" can be 0-9,A-Z,a-z or blank, denoting performance difference; "z"can be 0-9,A-Z,a-z or blank,denoting target regional, "-" may be blank)

(5)NVR501-xxxxxxx-yyyyyyy-zzz, NVR501-xxxxxxx-yyyyPyyyy-zzz,NVR301-xxxxxxx-yyyyyyy-zzz, NVR301-xxxxxxx-yyyyPyyyy-zzz, XVR301-xxxxxxx-yyyyyyy-zzz, XVR301-xxxxxxx-yyyyPyyyy-zzz("x" can be 0-9,A-Z,a-z or blank,denoting difference in interface;"y" can be 0-9,A-Z,a-z or blank, denoting performance difference; "z"can be 0-9,A-Z,a-z or blank,denoting target regional, "-" may be blank)

Jie Qian

Operation Leader

Jie Qian

This is to certify that the sample(s) of the Product described herein has/have been investigated and found to have been in compliance with the above mentioned Standard(s) issued by the European Committee for Electrotechnical Standardization (CENELEC) in accordance with the UL Type Examination Certificate Program Requirements.

As stated in Article 6 of Directive 2014/35/EU, "When placing their electrical equipment on the market, manufacturers shall ensure that it has been designed and manufactured in accordance with the safety objectives referred to in Article 3 and set out in Annex I" and "Manufacturers shall draw up the technical documentation referred to in Annex III and carry out the conformity assessment procedure referred to in Annex III or have it carried out". This remains the responsibility of the manufacturer and is not covered as part of this certificate.

This certificate and test results obtained apply only to the product sample(s) submitted by the Applicant. UL did not select the sample(s) or determine whether the sample(s) provided were representative of other manufactured products. UL has not established Follow-Up Service or other surveillance of the product. The Applicant/ Manufacturer are solely and fully responsible for any declaration of ongoing conformity of all products to all applicable Standard(s), specifications or requirements. The test results may not be used, in whole or in part, in any other document without UL's prior written approval.

UL-CCIC Company Ltd. Suzhou Branch

No. 2, Chengwan Road, Suzhou Industrial Park, Suzhou 215122, China



UL TYPE EXAMINATION CERTIFICATE

Low Voltage Directive 2014/35/EU

Certificate No. E359706-A6307-4791255636-1-04
Page 5
Date of Issue 2024-04-01

Ratings (optional) (1)NVR301-04S2, NVR301-08S2, NVR301-04S2-NB, NVR301-08S2-NB, NVR301-04X, NVR301-04X-NB, NVR301-08X, NVR301-08X-NB, NVR301-16X, NVR301-16X-NB, NVR301-04Q, NVR301-04Q-NB, NVR301-08Q, NVR301-08Q-NB, NVR301-04S3, NVR301-04S3-NB, NVR301-08S3, NVR301-08S3-NB, NVR301-16S3, NVR301-16S3-NB, NVR301-xxxxxxx-yyyyyyyy-zzz, 12Vdc, 1.5A
(2)NVR301-08X-P8, NVR301-08X-P8-NB, NVR301-08S2-P8, NVR301-08S2-P8-NB, NVR301-08S3-P8, NVR301-08S3-P8-NB, NVR301-16S3-P8, NVR301-16S3-P8-NB, NVR301-04X-P4-DT, NVR301-08X-P8-DT, NVR301-xxxxxxx-yyyyyPyyy-zzz: Construction A ,C with four POE outputs: 48VDC, 1.25A
Construction B with eight POE outputs, 52VDC, 1.8A
(3)NVR301-04S2-P4, NVR301-04S2-P4-NB, NVR301-04X-P4, NVR301-04X-P4-NB, NVR301-04S3-P4-NB, NVR301-04S3-P4, NVR301-xxxxxxx-yyyyyPyyy-zzz 48Vdc, 1.35A

Jie Qian

Operation Leader

Jie Qian

This is to certify that the sample(s) of the Product described herein has/have been investigated and found to have been in compliance with the above mentioned Standard(s) issued by the European Committee for Electrotechnical Standardization (CENELEC) in accordance with the UL Type Examination Certificate Program Requirements.

As stated in Article 6 of Directive 2014/35/EU, "When placing their electrical equipment on the market, manufacturers shall ensure that it has been designed and manufactured in accordance with the safety objectives referred to in Article 3 and set out in Annex I" and "Manufacturers shall draw up the technical documentation referred to in Annex III and carry out the conformity assessment procedure referred to in Annex III or have it carried out". This remains the responsibility of the manufacturer and is not covered as part of this certificate.

This certificate and test results obtained apply only to the product sample(s) submitted by the Applicant. UL did not select the sample(s) or determine whether the sample(s) provided were representative of other manufactured products. UL has not established Follow-Up Service or other surveillance of the product. The Applicant/ Manufacturer are solely and fully responsible for any declaration of ongoing conformity of all applicable Standard(s), specifications or requirements. The test results may not be used, in whole or in part, in any other document without UL's prior written approval.

UL-CCIC Company Ltd. Suzhou Branch

No. 2, Chengwan Road, Suzhou Industrial Park, Suzhou 215122, China



UL TYPE EXAMINATION CERTIFICATE

Low Voltage Directive 2014/35/EU

Certificate No. E359706-A6307-4791255636-1-04
Page 6
Date of Issue 2024-04-01

(4) XVR301-04Q, XVR301-04Q-NB, XVR301-08Q, XVR301-08Q-NB, XVR301-04G, XVR301-08G, XVR301-16G, XVR301-16G-NB, XVR301-xxxxxxx-yyyyyyy-zzz, Construction A: 12Vdc,1.5A Construction B: 12Vdc,2.0A
(5) NVR501-xxxxxxx-yyyyyyy-zzz, NVR501-xxxxxxx-yyyyPyyyy-zzz,NVR301-xxxxxxx-yyyyyyy-zzz, NVR301-xxxxxxx-yyyyPyyyy-zzz, XVR301-xxxxxxx-yyyyyyy-zzz, XVR301-xxxxxxx-yyyyPyyyy-zzz
52Vdc, 1.8A for models with eight POE outputs;
48Vdc, 1.35A for models with four POE outputs;
12Vdc, 1.5A for models without POE outputs

Product Sample Tested and found in compliance with Standard(s)

EN IEC 62368-1:2020+A11:2020

Test Report Nos.

E359706-A6307-IT-1

Jie Qian

Operation Leader

Jie Qian

This is to certify that the sample(s) of the Product described herein has/have been investigated and found to have been in compliance with the above mentioned Standard(s) issued by the European Committee for Electrotechnical Standardization (CENELEC) in accordance with the UL Type Examination Certificate Program Requirements.

As stated in Article 6 of Directive 2014/35/EU, "When placing their electrical equipment on the market, manufacturers shall ensure that it has been designed and manufactured in accordance with the safety objectives referred to in Article 3 and set out in Annex I" and "Manufacturers shall draw up the technical documentation referred to in Annex III and carry out the conformity assessment procedure referred to in Annex III or have it carried out". This remains the responsibility of the manufacturer and is not covered as part of this certificate.

This certificate and test results obtained apply only to the product sample(s) submitted by the Applicant. UL did not select the sample(s) or determine whether the sample(s) provided were representative of other manufactured products. UL has not established Follow-Up Service or other surveillance of the product. The Applicant/ Manufacturer are solely and fully responsible for any declaration of ongoing conformity of all products to all applicable Standard(s), specifications or requirements. The test results may not be used, in whole or in part, in any other document without UL's prior written approval.

UL-CCIC Company Ltd. Suzhou Branch

No. 2, Chengwan Road, Suzhou Industrial Park, Suzhou 215122, China



UL TYPE EXAMINATION CERTIFICATE

Low Voltage Directive 2014/35/EU

Certificate No. E359706-A6307-4791255636-1-04
Page 7
Date of Issue 2024-04-01

Additional information N/A

Jie Qian

Operation Leader

Jie Qian

This is to certify that the sample(s) of the Product described herein has/have been investigated and found to have been in compliance with the above mentioned Standard(s) issued by the European Committee for Electrotechnical Standardization (CENELEC) in accordance with the UL Type Examination Certificate Program Requirements.

As stated in Article 6 of Directive 2014/35/EU, "When placing their electrical equipment on the market, manufacturers shall ensure that it has been designed and manufactured in accordance with the safety objectives referred to in Article 3 and set out in Annex I" and "Manufacturers shall draw up the technical documentation referred to in Annex III and carry out the conformity assessment procedure referred to in Annex III or have it carried out". This remains the responsibility of the manufacturer and is not covered as part of this certificate.

This certificate and test results obtained apply only to the product sample(s) submitted by the Applicant. UL did not select the sample(s) or determine whether the sample(s) provided were representative of other manufactured products. UL has not established Follow-Up Service or other surveillance of the product. The Applicant/ Manufacturer are solely and fully responsible for any declaration of ongoing conformity of all products to all applicable Standard(s), specifications or requirements. The test results may not be used, in whole or in part, in any other document without UL's prior written approval.

UL-CCIC Company Ltd. Suzhou Branch

No. 2, Chengwan Road, Suzhou Industrial Park, Suzhou 215122, China





Solutions

UL-CCIC Company Limited

No. 2, Chengwan Road, Suzhou Industrial Park, Suzhou 215122, China

T: + 86-512-6808 6400

F: + 86-512-6808 4099

No: 4791250055.2-S2

Issue Date:2024-04-29

Statement of Compliance

Project No.: 4791250055.2

Applicant: Zhejiang Uniview Technologies Co., Ltd.

Address of Applicant: No. 369, Xietong Road, Xixing Sub-district, Binjiang District, Hangzhou City, 310051, Zhejiang Province, China

Product Description: Network Video Recorder

Model No.: EUT Family Group 1: NVR501-08B-P8, NVR501-xxxxxxx-yyyyyyy-zzz, NVR501-xxxxxxx-yyyyPyyyy-zzz, NVR301-xxxxxxx-yyyyyyy-zzz, NVR301-xxxxxxx-yyyyPyyyy-zzz, XVR301-xxxxxxx-yyyyyyy-zzz, XVR301-xxxxxxx-yyyyPyyyy-zzz, XVR-1xxxxxxx-yyyyyyy-zzz, NVR-1xxxxxxx-yyyyyyy-zzz (where x, y, z may be 0-9 A-Z a-z or blank, or -. "-" is optional. The differences no impact safety related constructions and EMC)

EUT Family Group 2: XVR301-04U3, XVR301-08U3, NVR501-xxxxxxx-yyyyyyy-zzz, NVR501-xxxxxxx-yyyyPyyyy-zzz, NVR301-xxxxxxx-yyyyyyy-zzz, NVR301-xxxxxxx-yyyyPyyyy-zzz, XVR301-xxxxxxx-yyyyyyy-zzz, XVR301-xxxxxxx-yyyyPyyyy-zzz, XVR-1xxxxxxx-yyyyyyy-zzz, NVR-1xxxxxxx-yyyyyyy-zzz("x" "y" "z" can be 0-9, A-Z, a-z or blank, "-" may be blank)

EUT Family Group 3: XVR301-04U3-P4,

This verification of EMC Compliance has been granted to the applicant based on the results of the tests, performed by laboratory of UL-CCIC Company Ltd. on the sample of the above-mentioned product in accordance with the provisions of the relevant specific standards and Directive 2014/30/EU. The CE mark as shown below can be used, under the responsibility of the manufacturer, after completion of an EC Declaration of Conformity and compliance with all relevant EC Directives.



Leon Wu

Leon Wu

UL-CCIC Company Limited.

Copyright of this verification is owned by UL-CCIC Company Ltd. and may not be reproduced other than in full and with the prior approval of the General Manager. This verification is subjected to the governance of the General Conditions of Services, printed overleaf.



Solutions

UL-CCIC Company Limited

No. 2, Chengwan Road, Suzhou Industrial Park, Suzhou 215122, China

T: + 86-512-6808 6400

F: + 86-512-6808 4099

No: 4791250055.2-S2

Issue Date:2024-04-29

NVR501-xxxxxxx-yyyyyyy-zzz, NVR501-xxxxxxx-yyyPyyyy-zzz,
NVR301-xxxxxxx-yyyyyyy-zzz, NVR301-xxxxxxx-yyyPyyyy-zzz,
XVR301-xxxxxxx-yyyyyyy-zzz, XVR301-xxxxxxx-yyyPyyyy-zzz,
XVR-1xxxxxxx-yyyyyyy-zzz, NVR-1xxxxxxx-yyyyyyy-zzz("x" "y" "z"
can be 0-9, A-Z, a-z or blank, "-" may be blank)

Test Standard:

EN 55032:2015+A11:2020+A1:2020

EN 50130-4:2011+A1:2014

EN IEC 61000-3-2:2019+A1:2021

EN 61000-3-3:2013+A1:2019+A2:2021

Test Report Number(s):

4791250055.2-2

This verification of EMC Compliance has been granted to the applicant based on the results of the tests, performed by laboratory of UL-CCIC Company Ltd. on the sample of the above-mentioned product in accordance with the provisions of the relevant specific standards and Directive 2014/30/EU. The CE mark as shown below can be used, under the responsibility of the manufacturer, after completion of an EC Declaration of Conformity and compliance with all relevant EC Directives.



Leon Wu

Leon Wu

UL-CCIC Company Limited.

Copyright of this verification is owned by UL-CCIC Company Ltd. and may not be reproduced other than in full and with the prior approval of the General Manager. This verification is subjected to the governance of the General Conditions of Services, printed overleaf.



ΔΗΛΩΣΗ ΣΥΜΜΟΡΦΩΣΗΣ ΕΕ

Nr 2023/01041

Για τα ακόλουθα προϊόντα

εξοπλισμού

: Network Video Recorder (Καταγραφικό)

Τύπος Προϊόντος/Εμπορικό

NVR-104E2-P4

Σήμα:

NVR-108E2-P8

NVR-108S3-P8

NVR-104S3-P4

NVR-104E2

NVR-110E2

NVR-116E2

Όνομα Κατασκευαστή:

: ZHEJIANG UNIVIEW TECHNOLOGIES CO., LTD

Διεύθυνση Κατασκευαστή:

: No. 369, Xietong Road, Xixing Sub-district,
Binjiang District, Hangzhou City, China (zhejiang)
Pilot Free Trade Zone

στο οποίο αναφέρεται η παρούσα δήλωση, και είναι σύμφωνο με τα ακόλουθα πρότυπα ή άλλα έγγραφα κανονισμού:"

"Οδηγία του Συμβουλίου 2014/30/ΕΕ - Οδηγία EMC"

EN 55032:2015+A11:2020+A1:2020

EN 50130-4:2011+A1:2014

EN IEC 61000-3-2:2019+A1:2021

EN 61000-3-3:2013+A1:2019+A2:2021

"Οδηγία του Συμβουλίου 2014/35/ΕΕ - Οδηγία Χαμηλής Τάσης"

EN IEC 62368-1:2020+A11:2020

"Οδηγία του Συμβουλίου (ΕΕ) 2015/863 τροποποιώντας το Παράρτημα II της Οδηγίας 2011/65/ΕΕ"

"Υπεύθυνος για την κατάθεση αυτής της δήλωσης είναι ο:

Κατασκευαστής
στην ΕΕ

Εξουσιοδοτημένος εκπρόσωπος που έχει εγκατασταθεί



Υπεύθυνος για την κατάθεση αυτής της δήλωσης

Όνομα, Επίθετο : 白宗杭

Θέση/Τίτλος : Sales Engineer

Hangzhou

2024.07.24

(Μέρος)

(Ημερομηνία)

(Σφραγίδα της εταιρείας και νόμιμη υπογραφή)

