



## 19" Cable Management Panel with 4 Rings

Art. No.: OR107B

### Technical Features

For a sorted and clear cable routing

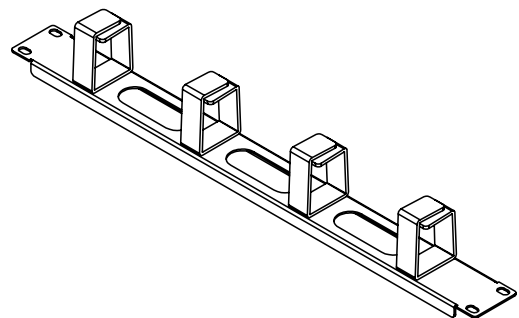
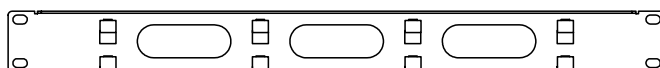
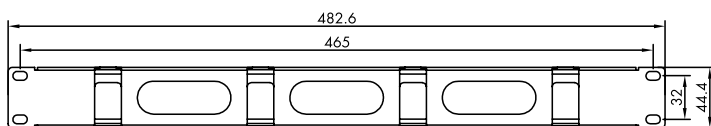
1U horizontal cable manager

Include 4 removable plastic rings

With 3 openings for cable routing

Color: Black RAL9005

### Technical Drawings



Unit: mm

OR107B



4 052792 074512

Made in China

[www.2direct.de](http://www.2direct.de)



\*The specifications and pictures are subject to change without prior notice.  
\*All trade names referenced are the registered trademarks of their respective owners.

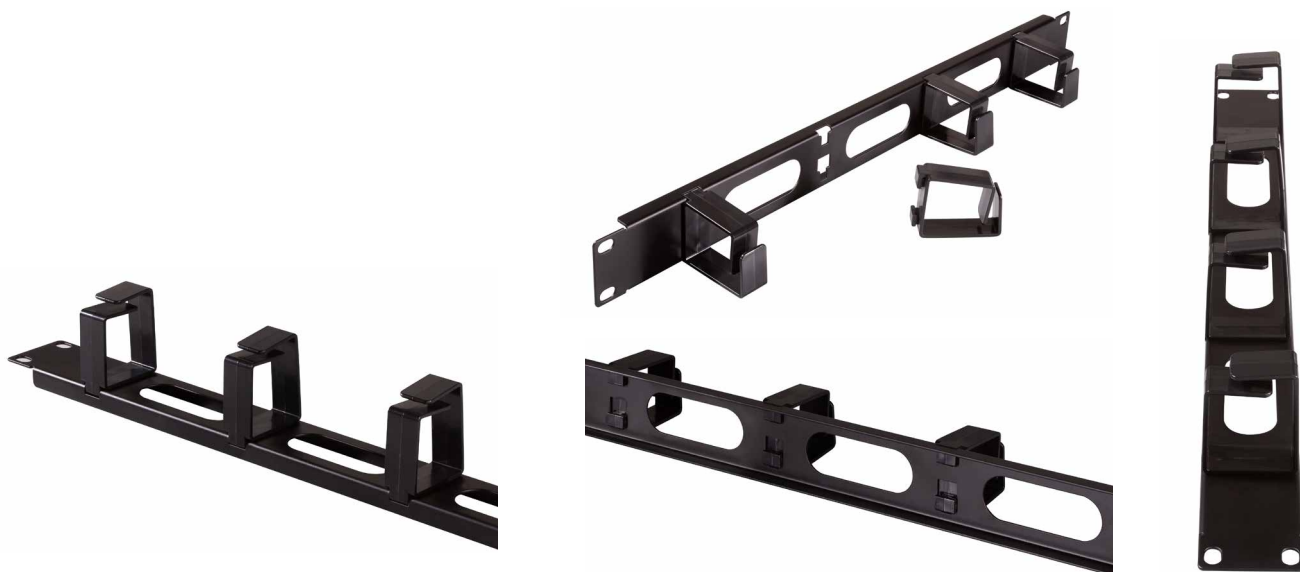
## Package Contents

1x 19" Cable Management Panel

1x Screw Package

## Packaging Information

Packing Dimension	485 x 78 x 50 mm
Packing Weight	0.376 kg
Carton Dimension	420 x 260 x 510 mm
Carton Q'ty	25 pcs
Carton Weight	14 kg



OR107B



4 052792 074512

Made in China

[www.2direct.de](http://www.2direct.de)



\*The specifications and pictures are subject to change without prior notice.  
\*All trade names referenced are the registered trademarks of their respective owners.