

# Articulating TV Wall Bracket

SMS23-22AT 17"-42"

Solid design  
Cable management



## SMS23-22AT

<b>VESA</b> 200x200(mm)	<b>17"-42"</b> Screen Sizes	<b>Max Load</b> 25kg/55lbs	<b>55 to 403</b> Low Profile (mm)
----------------------------	--------------------------------	-------------------------------	--------------------------------------

## Family Line product



SMS21-22AT  
VESA200X200 Max Load 25Kg  
14"-42"



SMS20-22AT  
VESA200X200 Max Load 25Kg  
14"-42"

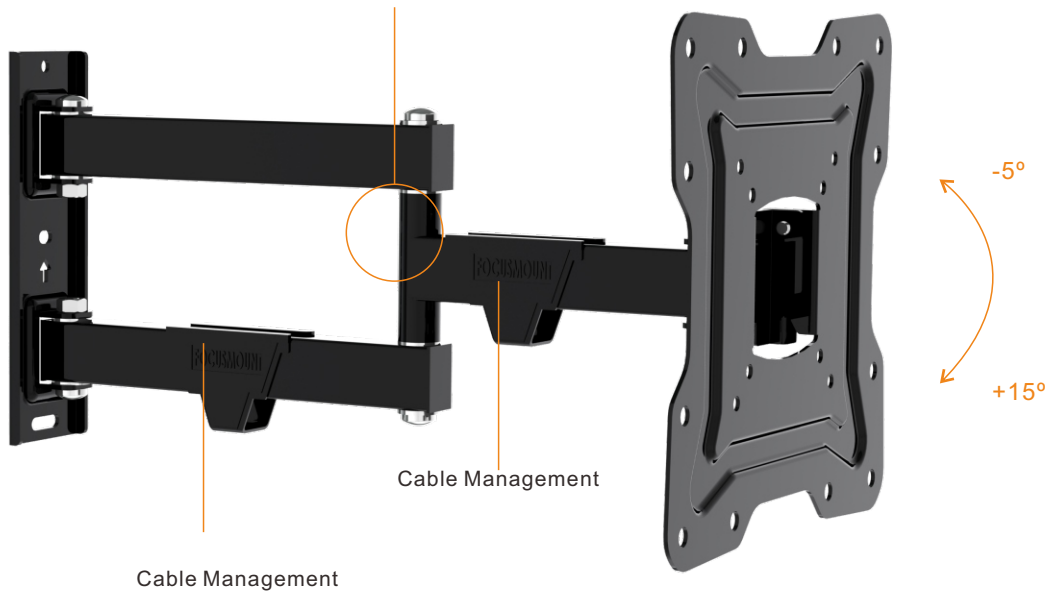


SMS23-44AT  
VESA200X200 Max Load 25Kg  
14"-47"

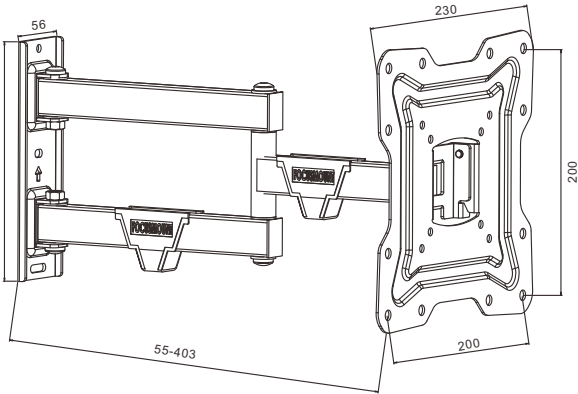
## Description

### Universal Tilt & Swivel LCD/LED TV Bracket

Welding connecting have better loading capacity and stability!

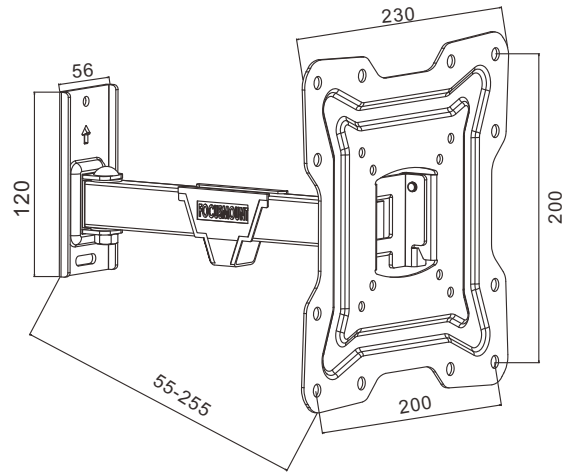


# Technical Drawing



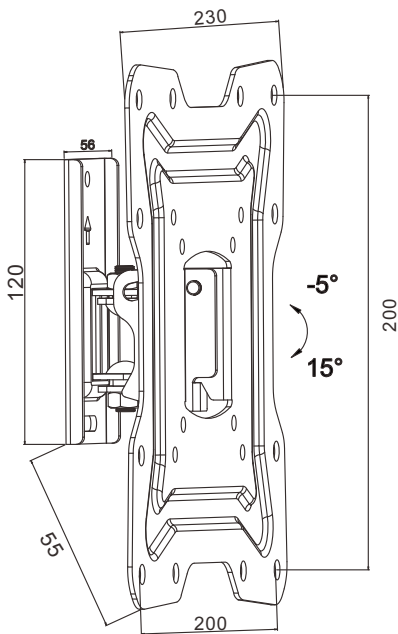
SMS23-22AT

<b>VESA</b> 200x200(mm)	<b>17"-42"</b> Screen Sizes	<b>Max Load</b> 25kg/55lbs	<b>55 to 403</b> Low Profile (mm)
----------------------------	--------------------------------	-------------------------------	--------------------------------------



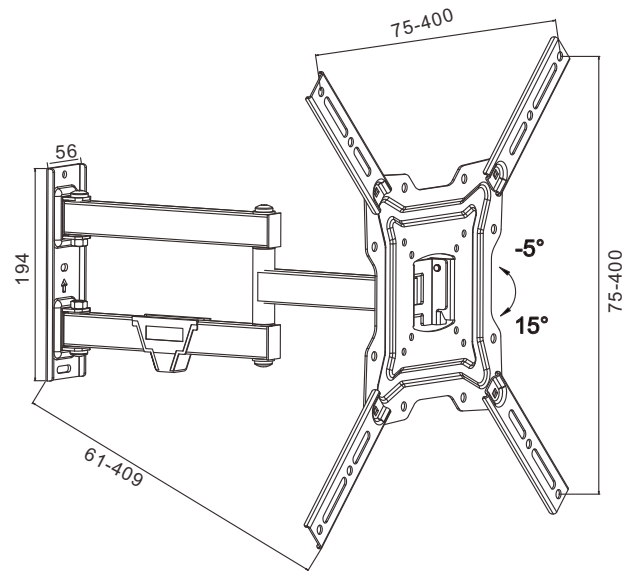
SMS21-22AT

<b>VESA</b> 200x200(mm)	<b>17"-42"</b> Screen Sizes	<b>Max Load</b> 25kg/55lbs	<b>55 to 255</b> Low Profile (mm)
----------------------------	--------------------------------	-------------------------------	--------------------------------------



SMS20-22AT

<b>VESA</b> 200x200(mm)	<b>17"-42"</b> Screen Sizes	<b>Max Load</b> 25kg/55lbs	<b>55</b> Low Profile (mm)
----------------------------	--------------------------------	-------------------------------	-------------------------------



SMS23-44AT

<b>VESA</b> 400x400(mm)	<b>17"-47"</b> Screen Sizes	<b>Max Load</b> 25kg/55lbs	<b>61 to 409</b> Low Profile (mm)
----------------------------	--------------------------------	-------------------------------	--------------------------------------