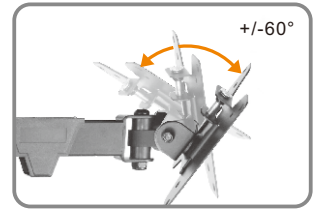
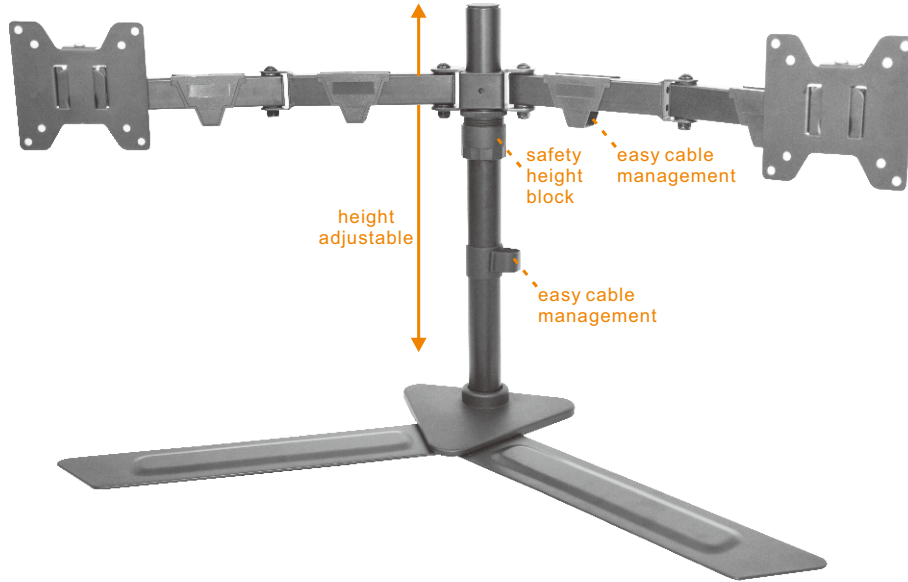
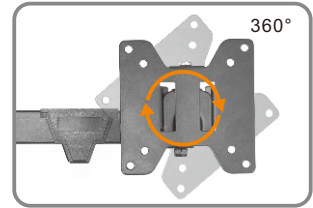


Focus Mount

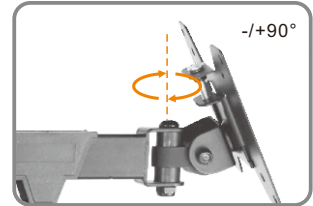
LCD Monitor Desktop Mount



Tilt

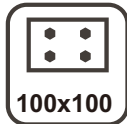


Rotation



Swivel

FDM812



100x100



Max

10Kg



14''-30''

Distributor

- DOTMEDIA LTD
- Add: 18 KATEVASIAS str & DALIAS str
- ACHARNES 13671 ATHENS-GREECE
- Tel. +302102849836 Fax +302102446835
- E-mail: info@dot-media.gr



5 201964 099900

