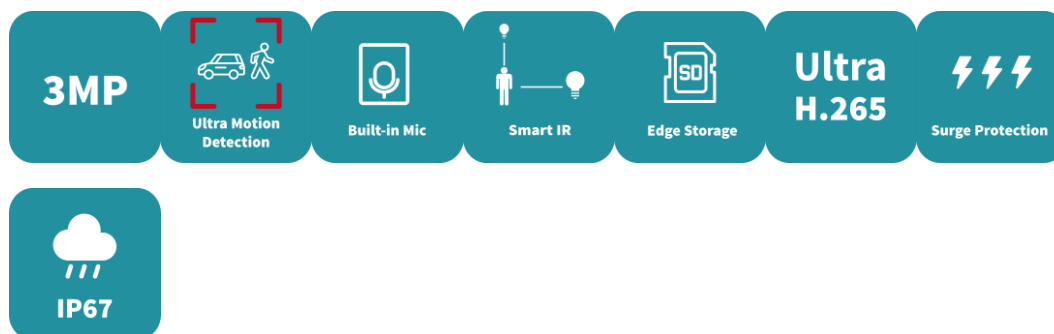


3MP HD Outdoor Bullet Wi-Fi Camera

Uho-B2D-M3F3(4)D



Features

- High quality image with 3MP, 1/3.0"CMOS sensor and F1.6 aperture lens
- 3MP (2304*1296)@25/20fps; 2MP (1920*1080)@30/25fps; 720P (1280*720)@30/25fps
- Ultra 265, H.265, H.264, MJPEG
- Built-in Mic
- Built-in Speaker
- Smart IR, up to 20m (66ft) IR distance
- Warm Light, up to 10m (33ft) warm light distance
- Support Dual Light mode, switch between IR and warm lights when the preset is triggered.
- Support 128 G Micro SD card
- Wi-Fi connection and easy installation
- IP67 protection
- 3-Axis

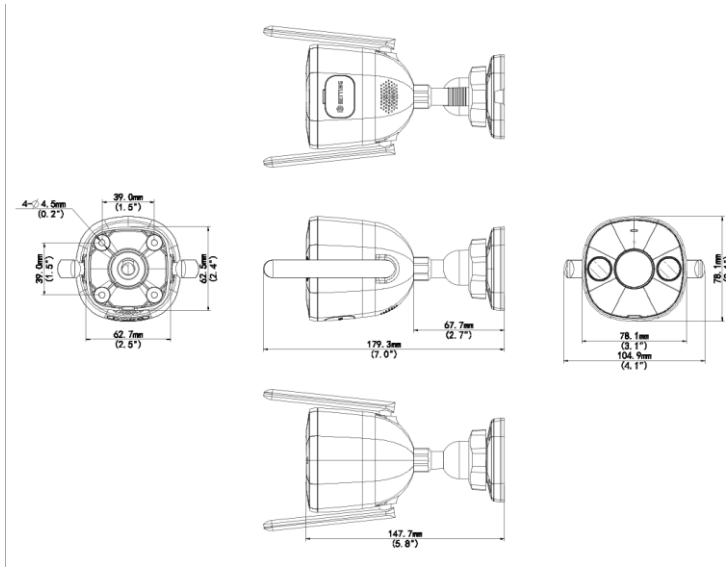
Specifications

Camera	Description
Max Resolution	3MP
Sensor	1/3.0" CMOS
Min. Illumination	Colour: 0.003 lux (F1.6 AGC ON) 0 lux with IR on
Day/Night	IR-cut filter with auto switch (ICR)
Shutter	Auto/Manual, 1 ~ 1/100000s
Adjustment Angle	Pan: 0° ~ 360°, Tilt: 0° ~ 90°, Rotate: 0° ~ 360°
S/N	>52dB
WDR	DWDR
Lens	Description
Lens Type	Uho-B2D-M3F3D:2.8mm Uho-B2D-M3F4D:4.0mm
Iris Type	Fixed
Iris	F1.6
Field of View (H)	Uho-B2D-M3F3D:97.5° Uho-B2D-M3F4D:80.2°
Field of View (V)	Uho-B2D-M3F3D:52.9° Uho-B2D-M3F4D:42.9°
Field of View (D)	Uho-B2D-M3F3D:108.0° Uho-B2D-M3F4D:86.0°
DORI	Description
DORI Distance(Lens)	Uho-B2D-M3F3D:2.8mm Uho-B2D-M3F4D:4.0mm
DORI Distance(Detect)	Uho-B2D-M3F3D:46.7m(153.1ft) Uho-B2D-M3F4D:66.7m(218.7ft)
DORI Distance(Observe)	Uho-B2D-M3F3D:18.7m(61.2ft) Uho-B2D-M3F4D:26.7m(87.5ft)
DORI Distance(Recognize)	Uho-B2D-M3F3D:9.3m(30.6ft) Uho-B2D-M3F4D:13.3m(43.7ft)
DORI Distance(Identify)	Uho-B2D-M3F3D:4.7m(15.3ft) Uho-B2D-M3F4D:6.7m(21.9ft)
Illuminator	Description
Illumination Distance(IR)	20m
Illumination Distance(Warm Light)	10m
Wavelength	850nm
IR On/Off Control	Auto/Manual
Video	Description
Video Compression	Ultra 265; H.265; H.264; MJPEG

H.264 Code Profile	Baseline profile, Main profile, High profile
Frame Rate	Main Stream: 3MP (2304*1296)), Max 25fps; 1080P (1920*1080), Max 30fps; 720P (1280*720), Max 30fps; Sub Stream: 640*360,Max 30fps; 2CIF(704*288), Max 30fps; CIF(352*288), Max 30fps;
Video Bit Rate	128 Kbps ~ 2048 Kbps
U-code	Support
OSD	Up to 4 OSDs
Privacy Mask	Support(Only NVR)
ROI	Up to 8 areas
Video Stream	Dual Streams
Image	Description
White Balance	Auto; Outdoor; Fine Tune; Sodium Lamp; Locked; Auto2
Digital Noise Reduction	2D/3D DNR
Smart IR	Support
Flip	Normal; Flip Vertical; Flip Horizontal; 180°
Dewarping	N/A
HLC	N/A
BLC	N/A
Defog	Digital Defog
Events	Description
Basic Detection	Motion Detection; Ultra Motion Detection; Audio Detection; Tampering Alarm
General Function	IP Address Filtering; Access Policy; ARP Protection; RTSP Authentication; User Authentication; HTTP Authentication
Audio	Description
Audio Compression	G.711U; G.711A
Audio Bitrate	64 Kbps
Two-way Audio	Support
Suppression	Support
Sampling Rate	8KHZ
Storage	Description
Edge Storage	Micro SD, up to 512 GB
Network Storage	ANR
Network	Description
Wi-Fi	2.4G Wi-Fi (IEEE802.11b/g/n), built-in antenna
Protocols	IPv4; TCP; UDP; DHCP; RTSP; DNS; DDNS; NTP; HTTP
Compatible Integration	API; SDK
User/Host	Up to 32 users, 2 user levels: administrator and common user
Client	Uniarch Client; Uniarch app
Web Browser	Plug-in required live view: IE 10 and above, Chrome 45 and above, Firefox 52 and above, Edge 79 and above
Interface	Description

Audio I/O	N/A
Alarm I/O	N/A
Built-in Mic	Support
Built-in Speaker	Support
WIFI	Support
Network	1 x RJ45 10M/100M Base-TX Ethernet
Video Output	N/A
Certification	Description
EMC	CE-EMC (EN 55032, EN 61000-3-3, EN IEC 61000-3-2, EN 55035) FCC (FCC 47 CFR part15 B)
RF	FCC ID (FCC CFR 47 part15 C)CE RED (EN 301 489-1, EN 301 489-17, EN 300 328, EN 62311)
Safety	CE LVD (EN 62368-1)
Environment	CE-RoHS (2011/65/EU;(EU)2015/863); WEEE (2012/19/EU);
Protection	IP67 (IEC 60529)
General	Description
Power	DC 12V ±25% Power consumption: Max 5.7W
Power Interface	Ø 5.5mm coaxial power plug
Dimensions	148 × 78 × 78mm (5.8" × 3.1" × 3.1")
Weight	0.31 kg (0.68 lb)
Material	Metal + Plastic
Working Environment	-30 °C ~ 60 °C (-22 °F ~ 140 °F), Humidity: ≤95% RH (non-condensing)
Storage Environment	-30 °C ~ 60 °C (-22 °F ~ 140 °F), Humidity: ≤95% RH (non-condensing)
Surge Protection	4KV
Reset Button	Support
LED Indicator	1, red/blue

Dimensions



Accessories

TR-JB05-A-IN

Small Bullet Junction Box(Support wiring from behind, Square)



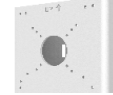
TR-UP06-B-IN

Bullet Pole Mounting Bracket



TR-UP06-C-IN

Pole Mounting Bracket for Bullet Junction Box Only



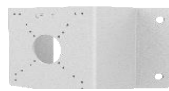
TR-A01-IN

NPT 3/4" Waterproof Cable Gland



TR-UC08-C

Bullet&Dome Corner Mounting Bracket



Zhejiang Uniview Technologies Co., Ltd.

No. 369, Xietong Road, Xixing Sub-district, Binjiang District, Hangzhou City, 310051, Zhejiang Province, China

Email: overseasbusiness@uniview.com; globalsupport@uniview.com

<http://www.uniview.com>

©2024 Zhejiang Uniview Technologies Co., Ltd. All rights reserved.

*Product specifications and availability are subject to change without notice.

*Despite our best efforts, technical or typographical errors may exist in this document. Uniview cannot be held responsible for any such errors and reserves the right to change the contents of this document without prior notice.

VERIFICATION OF COMPLIANCE

Verification No.: KSCR231100206101ATC
Applicant: Zhejiang Uniview Technologies Co., Ltd.
Address of Applicant: No. 369, Xietong Road, Xixing Sub-district, Binjiang District, Hangzhou City, 310051, Zhejiang Province, China
Product Description: IP Camera
Model No.: Uho-B2D-M3F3D,Uho-B2D-M2F4,Uho-B2D-xxxxxxx-yyyyyyyy-zzzz,Uho-B2R-xxxxxxx-yyyyyyyy-zzzz ("x,y, z" can be 0-9, A-Z, a-z or blank, "-" may be blank)
Sufficient samples of the product have been tested and found to be in conformity with
Test Standards: EN 50130-4: 2011 +A1:2014
EN 55032: 2015+A11:2020+A1:2020
EN 61000-3-3: 2013+ A1:2019+A2:2021
EN IEC 61000-3-2: 2019+A1:2021
As shown in the
Test Report Number(s): KSCR231100206101

This verification of EMC Compliance has been granted to the applicant based on the results of the tests, performed by laboratory of Compliance Certification Services (Kunshan) Inc. on the sample of the above-mentioned product in accordance with the provisions of the relevant specific standards under Directive 2014/30/EU. The CE mark as shown below can be used, under the responsibility of the manufacturer, after completion of an EU Declaration of Conformity and compliance with all relevant EU Directives.



Terry Hou
Technical Manager



Date: 2023-12-01

Copyright of this verification is owned by Compliance Certification Services (Kunshan) Inc. and may not be reproduced other than in full and with the prior approval of the General Manager. This verification is subjected to the governance of the General Conditions of Services which can be accessed at <https://www.sgs.com/en/terms-and-conditions>

VERIFICATION OF COMPLIANCE


No.: GPSD SHES2311021326AT

Applicant: Zhejiang Uniview Technologies Co., Ltd.
No. 369, Xietong Road, Xixing Sub-district, Binjiang District, Hangzhou City, 310051, Zhejiang Province, China

Manufacturer: Zhejiang Uniview Technologies Co., Ltd.
No. 369, Xietong Road, Xixing Sub-district, Binjiang District, Hangzhou City, 310051, Zhejiang Province, China

Product Name: IP Camera

Model No.: Uho-B2D-xxxxxxx-yyy-yyyy-zzzz, Uho-B2R-xxxxxxx-yyy-yyyy-zzzz
("x, y, z" can be 0-9, A-Z, a-z or blank, "-" may be blank).

Trade Mark: 

Rating: 12Vd.c., 1A

Protection against Electric Shock: Class III

Additional Information (if any): None

Sufficient samples of the product have been tested and found to be in conformity with

Test Standard: EN IEC 62368-1:2020+ A11:2020
as shown in the

Test Report Number(s): SHES231102132601

This Verification of GPSD Compliance has been granted to the applicant based on the results of tests performed by Laboratory of SGS-CSTC Standards Technical Services Co., Ltd. on sample of the above-mentioned product in accordance with the provisions of the relevant specific standards and the General Product Safety Directive 2001/95/EC.

Andrew Zhai
Technical Manager
SGS-CSTC



2023-12-12

Copyright of this verification is owned by SGS-CSTC Standards Technical Services Co., Ltd. and may not be reproduced other than in full and with the prior approval of the General Manager. This verification is subjected to the governance of the General Conditions of Services which can be accessible at <https://www.sgs.com/en/terms-and-conditions>.

Member of SGS Group (Société Générale de Surveillance)

VERIFICATION OF COMPLIANCE

Verification No.: KSCR231100201701ATC
Applicant: Zhejiang Uniview Technologies Co., Ltd.
Address of Applicant: No. 369, Xietong Road, Xixing Sub-district, Binjiang District, Hangzhou City, 310051, Zhejiang Province, China
Product Description: IP Camera
Model No.: Uho-B2D-M3F3D,Uho-B2D-M2F4,Uho-B2D-xxxxxxx-yyy-yyyy-zzzz,Uho-B2R-xxxxxxx-yyy-yyyy-zzzz ("x,y, z" can be 0-9, A-Z, a-z or blank, "-" may be blank)
Sufficient samples of the product have been tested and found to be in conformity with
Test Standards: EN 300 328 V2.2.2
EN 301 489-1 V2.2.3
EN 301 489-17 V3.2.4
EN IEC 62311:2020
As shown in the
Test Report Number(s): KSCR231100201701; KSCR231100201702; KSCR231100201703

Conclusion

Based on a review of the test report(s) detailed above, this apparatus meets the requirements of above standards. The product is in conformity with the essential requirements of Article 3.1 (a) the protection of the health, 3.1 (b) an adequate level of electromagnetic compatibility and 3.2 effective use of the spectrum of 2014/53/EU.

The CE mark as shown below can be used, under the responsibility of the manufacturer, after completion of an EU Declaration of Conformity and compliance with all relevant EU Directives.

Terry Hou
Technical Manager



Date: 2023-12-01



ΔΗΛΩΣΗ ΣΥΜΜΟΡΦΩΣΗΣ ΕΕ

Nr 2023/01041

Για τα ακόλουθα προϊόντα

εξοπλισμού : WIFI Κάμερα

Τύπος Προϊόντος/Εμπορικό Uho-S3E-M3

Σήμα: Uho-S2

Uho-S3E-M5TD

Uho-S3S-M33D

Uho-P2S-M33F34

Uho-B2D-M3F3D

Uho-P1A-M3F4D

Όνομα Κατασκευαστή: : ZHEJIANG UNIVIEW TECHNOLOGIES CO., LTD

Διεύθυνση Κατασκευαστή: No. 369, Xietong Road, Xixing Sub-district,
Binjiang District, Hangzhou City, China (zhejiang)
Pilot Free Trade Zone

στο οποίο αναφέρεται η παρούσα δήλωση, και είναι σύμφωνο με τα ακόλουθα πρότυπα ή άλλα έγγραφα κανονισμού:"

Οδηγία 2014/53/ΕΕ του Συμβουλίου - Οδηγία για τους φορείς καταχώρισης

EN 55032:2015+A11:2020+A1:2020
EN 50130-4:2011+A1:2014
EN IEC 61000-3-2:2019+A1:2021
EN 61000-3-3:2013+A1:2019+A2:2021
EN IEC 62368-1:2020+A11:2020
EN 301 489-1
EN 301 489-17
EN 300 328
EN IEC 62311:2020

Οδηγία (ΕΕ) 2015/863 του Συμβουλίου για την τροποποίηση του παραρτήματος II της οδηγίας 2011/65/ΕΕ

"Υπεύθυνος για την κατάθεση αυτής της δήλωσης είναι ο:

Κατασκευαστής Εξουσιοδοτημένος εκπρόσωπος που έχει εγκατασταθεί στην ΕΕ



Υπεύθυνος για την κατάθεση αυτής της δήλωσης

Όνομα, Επίθετο : 白宗杭

Θέση/Τίτλος : Sales Engineer

Hangzhou

2024.07.24

(Μέρος)

(Ημερομηνία)

(Σφραγίδα της εταιρείας και νόμιμη υπογραφή)

